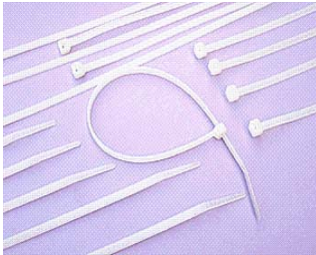




**Catalog Number** See Table  
**UPC Number**  
**Description** Cable Tie - Natural  
 18 Lb Tensile Strength



**Features**

- Durable Nylon 6/6 Material
- Low Profile Locking Head
- Bent Tip for ease of insertion into locking head

**General**

**Material:** Nylon 6/6  
**Flammability:** UL94V-2

**Dimension Information**

**Length:** See Table  
**Width:** See Table  
**Bundle Dia:** See Table

**Specifications**

**Temperature Rating** Negative 40 to 185° F  
**Voltage Rating** 600  
**Flammability Rating** UL 94V-2  
**Tensile Strength:** 18 Lbs

**Packaging**

**Bag Qty** 100

**Certifications**

**UL** Yes  
**CSA** Yes  
**ROHS** Yes

Cat. No.	Tensile Strength (Lbs.)	Length (Inches)	Width (Inches)	Max Bundle Dia (Inches)	Bag Qty	Master Bag Qty
20012	18	3	0.094	0.71	100	1000
20014	18	4	0.098	0.99	100	1000
20016	18	4 3/4	0.098	1.18	100	1000
20018	18	5 1/2	0.098	1.38	100	1000
20020	18	6 1/2	0.098	1.73	100	1000
20022	18	8	0.098	2.17	100	1000

[www.morrisproducts.com](http://www.morrisproducts.com)

Morris Products 53 Carey Road, Queensbury, NY 12804



14515-99 HH



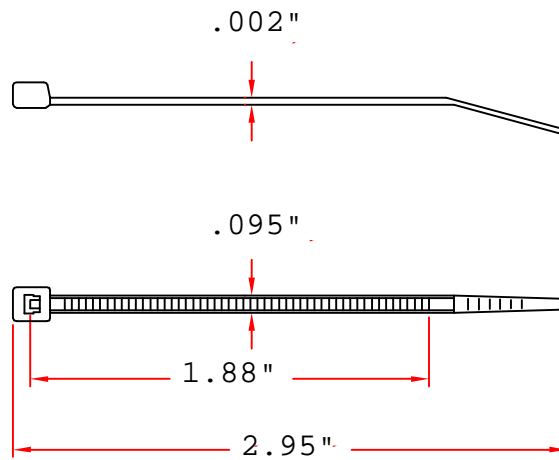
E-10035



06/10038



40022513



Morris Products  
Queensbury NY

MATERIAL-UL 94V-2  
NYLON 66

ITEM NO. 20012

SCALE

18 LBS  
Tensile

NAME

NYLON CABLE TIE



( . . )



03-20-2007  
DATE

REVISIONS K001

R.NO.