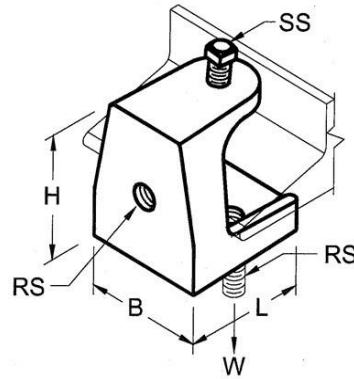




Morris CAT#: 17472-17476
Malleable Iron Rod Support Beam Clamp



Features:

- Used with Conduit Hangers, Bridle Rings & Drop Rods. 1/4" to 1/2"
- Tapped for Rods - bottom and back on all sizes
- Malleable Iron - Zinc plated

DIMENSIONS = INCHES

CAT. NO.	JAW OPENING	ROD SIZE (RS)	SET SCREW SIZE	MAX LOAD (W)	B	L	H	BOX QTY
17472	3/4"	1/4"-20	5/16"-18	125 LBS.	1.18"	1.38"	1.38"	50
17474	7/8"	3/8"-16	1/2"-13	300 LBS.	2.00"	1.87"	1.75"	50
17476	1-1/8"	1/2"-13	1/2"-13	750 LBS.	2.50"	2.37"	2.14"	25