



Catalog Number 12438
UPC Number 60198612438
Description Nylon Insulated
 Right Angle Flag Female Disconnect
 16-14 AWG



Features

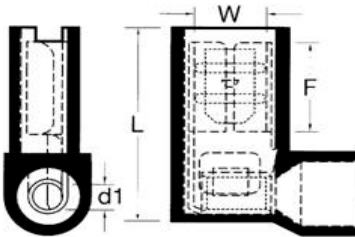
- Color Coded Nylon insulation for easy identification
- Manufactured from high strength copper alloy
- Electro-tin plated for corrosion resistance
- Expanded insulation eliminates strand “Hang Up”, provides strain relief & excellent UV, temperature and chemical resistance
- Wire range stamped on the surface for easy interpretation
- Brazed seams prevent splitting under maximum pressure
- Serrated barrel provides excellent electrical contact & pull-out force resistance

General

Insulation Type Nylon
Material Brass
Finish Electro-Tin Plated
Color Blue
Wire Range 16-14
Tab Size .020 X .187

Dimension Information

Stock Thickness 0.016
L Inches (mm) 0.598
D1 Inches (mm) 0.083
F Inches (mm) 0.276
W Inches (mm) 0.197



Specifications

Temperature Rating 105°C
Voltage Rating 300 V
Flammability Rating UL94V-O
Amp Rating 14 AWG 15 Amps
 16 AWG 10 Amps

Packaging

Bag Qty 100
Master Bag Qty 1000

Certifications

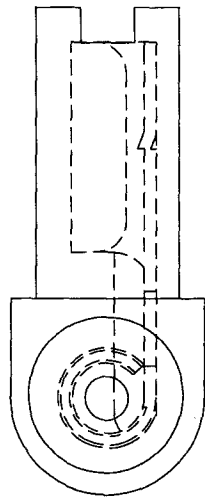
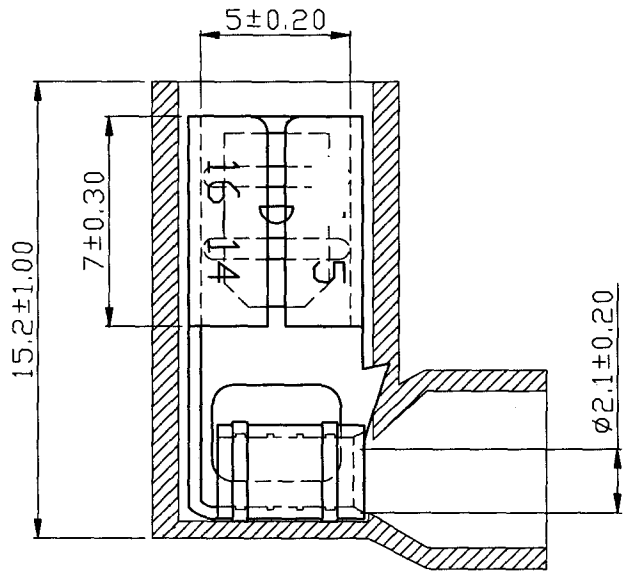
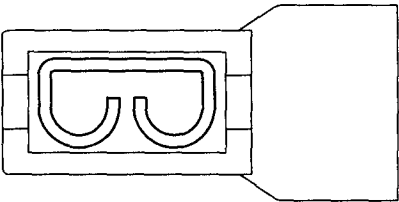
UL Yes
cUL Yes
RoHS Yes

Morris Products 53 Carey Road, Queensbury, NY 12804

www.morrisproducts.com



REV	DESCRIPTION	DATE
-----	-------------	------



- NOTE :
1. MAXIMUM ELECTRIC CURRENT :

A.W.G.	16	14
AMP.	10	15
 2. MAXIMUM ELECTRICAL RATING : 105°C 300 VOLTS MAX.
 3. INSULATION MATERIAL : NYLON
 4. INSULATION COLOR : BLUE
 5. TERMINAL MATERIAL : BRASS
 6. WIRE RANGE : 16-14 A.W.G. (1.5-2.5 mm²)
 7. NEMA TAB : 0.020 inch * 0.187 inch (0.5 mm * 4.75 mm)
 8. TERMINAL SURFACE TREATMENT : TIN PLATED
 9. TERMINAL THICKNESS : 0.40 mm

Tolerance Unless Otherwise Specified	
0 > 6 mm ±0.20	ANGLE
6 > 18 mm ±0.30	0° REF ±
18 > 30 mm ±0.40	° ±
> mm ±	° ±

NAME	NYLON-INSULATED FLAG FEMALE DISCONNECTORS				UNIT	.mm	
PART NO.	12438	MATERIAL	-----	APPROVE			
NUMBER		SCALE	SHEET	PAGE	CHECKED		
DATE	2006/08/17	4/1	1-0	10F2	DRAWN		

Morris Products Inc.