



Catalog Number 12162
UPC Number 60198612162
Description Vinyl Insulated Parallel Splice Connector
 22-16 AWG

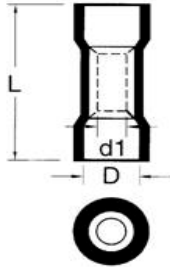


Features

- Color Coded insulation for easy identification
- Manufactured from high strength copper alloy
- Electro-tin plated for corrosion resistance
- Easy entry expanded insulation eliminates strand “Hang Up”, increases the crimping rates and the reliability of the termination
- Wire range stamped on the surface for easy interpretation
- Butted seams prevent splitting under maximum pressure
- Funneled barrel & flared insulation sleeve provides excellent contact & mechanical stress relief at insulation & barrel junction

General

Insulation Type Vinyl
 Material Tubular Copper
 Finish Electro-Tin Plated
 Color Red
 Wire Range 22-16
 Stud Size N/A



Dimension Information

L Inches (mm) 0.512
 D Inches (mm) 0.157
 D1 Inches (mm) 0.067

Specifications

Temperature Rating 75°C
 Voltage Rating 600 V
 Flammability Rating UL94V-O
 Amp Rating

22 AWG	9 Amps
20 AWG	12 Amps
18 AWG	17 Amps
16 AWG	18 Amps

Packaging

Bag Qty 100
 Master Bag Qty 1000

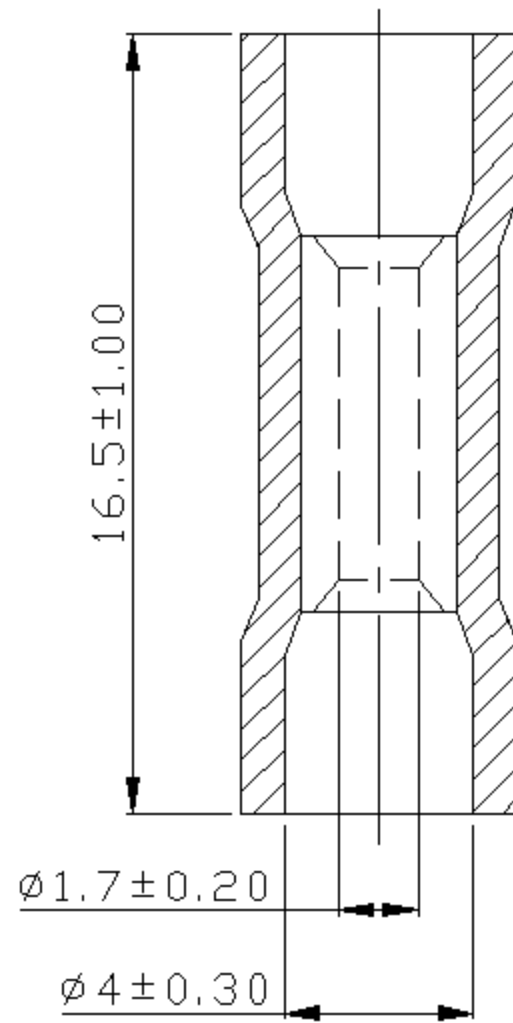
Certifications

UL Yes
 cUL Yes
 RoHS Yes

Morris Products 53 Carey Road, Queensbury, NY 12804
www.morrisproducts.com



REV	DESCRIPTION	DATE
-----	-------------	------



NOTE:

1. MAXIMUM ELECTRIC CURRENT :

A.W.G.	22	20	18	16
AMP.	9	12	17	18
2. MAXIMUM ELECTRICAL RATING : 75°C 600 VOLTS MAX.
3. INSULATION MATERIAL : VINYL
4. INSULATION COLOR : RED
5. CONNECTOR MATERIAL : COPPER TUBULAR
6. WIRE RANGE : 22-16 A.W.G.(0.5-1.5 mm²)
7. TERMINALS SURFACE TREATMENT : TIN PLATED

Tolerance Unless Otherwise Specified		
0 > 6 mm	± 0.20	ANGLE
6 > 18 mm	± 0.30	0° > ° REF ±
18 > 30 mm	± 0.40	° > ° ±
30 > 75 mm	± 0.50	° > ° ±

NAME	VINYL-INSULATED PARALLEL CONNECTORS			UNIT	mm	
PART NO.	12162	MATERIAL	-----	APPROVE		
NUMBER	SCALE	SHEET	PAGE	CHECKED	
DATE	2006/07/20	4/1	1-0	10F1	DRAWN	

Morris Products Inc.