



**Catalog Number** 12072  
**UPC Number** 60198612072  
**Description** Vinyl Insulated Female Receptacle  
 Bullet Disconnect  
 22-16 AWG  
 .153 OD

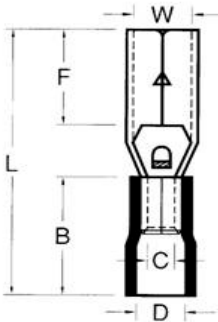


**Features**

- Vinyl Color Coded insulation for easy identification
- Manufactured from high strength copper alloy
- Electro-tin plated for corrosion resistance
- Expanded insulation eliminates strand “Hang Up”, provides strain relief & excellent UV, temperature and chemical resistance
- Wire range stamped on the surface for easy interpretation
- Butted seams prevent splitting under maximum pressure
- Serrated barrel & extended copper crimp sleeve provides excellent electrical contact & pull-out force resistance

**General**

Insulation Type Vinyl  
 Material Brass  
 Finish Electro-Tin Plated  
 Color Red  
 Wire Range 22-16  
 Bullet Size 0.157



**Dimension Information**

T Inches (mm) 0.016  
 L Inches (mm) 0.846  
 B Inches (mm) 0.394  
 C Inches (mm) 0.067  
 D Inches (mm) 0.157  
 F Inches (mm) 0.287  
 W Inches (mm) 0.153

**Specifications**

Temperature Rating 75°C  
 Voltage Rating 600 V  
 Flammability Rating UL94V-O  
 Amp Rating 22 AWG 3 Amps  
 20 AWG 4 Amps  
 18 AWG 7 Amps  
 16 AWG 10 Amps

**Packaging**

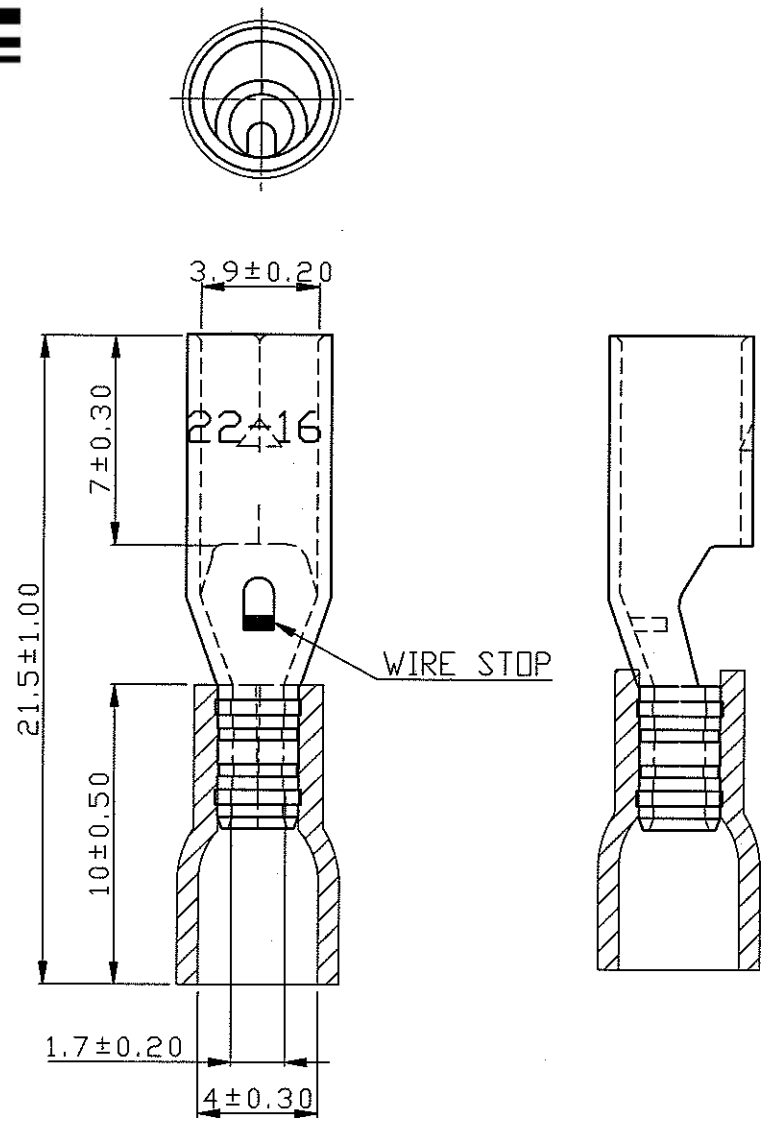
Bag Qty 100  
 Master Bag Qty 1000

**Certifications**

UL Yes  
 cUL Yes  
 RoHS Yes



REV	DESCRIPTION	DATE
△ RDK-96131		2007/12/29



- NOTE :
1. MAXIMUM ELECTRIC CURRENT : 

A.W.G.	22	20	18	16
AMP.	3	4	7	10
  2. MAXIMUM ELECTRICAL RATING : 75°C 600 VOLTS MAX.
  3. INSULATION MATERIAL : VINYL
  4. INSULATION COLOR : RED
  5. TERMINAL MATERIAL : BRASS
  6. WIRE RANGE : 22-16 A.W.G. ( 0.5-1.5 mm<sup>2</sup> )
  7. TERMINAL SURFACE TREATMENT : TIN PLATED
  8. TERMINAL THICKNESS : 0.40 mm

Tolerance Unless Otherwise Specified	
0 > 6 mm ± 0.20	ANGLE
6 > 18 mm ± 0.30	0° REF ±
18 > 30 mm ± 0.40	° ±
30 > 75 mm ± 0.50	° ±

NAME	VINYL-INSULATED RECEPTACLE DISCONNECTORS			UNIT
PART NO.	12072	MATERIAL	-----	APPROVE
NUMBER		SCALE	SHEET	PAGE CHECKED
DATE	2006/06/12	4/1	1-1	10F2 DRAWN

Morris Products Inc.