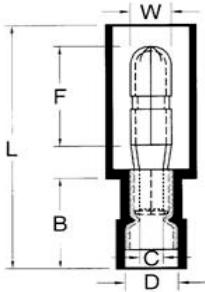




**Catalog Number** 12064  
**UPC Number** 60198612064  
**Description** Nylon Fully Insulated Bullet Disconnect  
 16-14  
 .157 OD



#### Features

- Nylon Color Coded insulation for easy identification
- Manufactured from high strength copper alloy
- Electro-tin plated for corrosion resistance
- Expanded insulation eliminates strand “Hang Up”, provides strain relief & excellent UV, temperature and chemical resistance
- Wire range stamped on the surface for easy interpretation
- Brazed seams prevent splitting under maximum pressure
- Serrated barrel & extended copper crimp sleeve provides excellent electrical contact & pull-out force resistance

#### General

**Insulation Type** Nylon  
**Material** Brass/Copper  
**Finish** Electro-Tin Plated  
**Color** Blue  
**Wire Range** 16-14  
**Bullet Size** 0.157

#### Dimension Information

**T Inches (mm)** 0.016  
**L Inches (mm)** 1.063  
**B Inches (mm)** 0.394  
**C Inches (mm)** 0.091  
**D Inches (mm)** 0.177  
**F Inches (mm)** 0.413  
**W Inches (mm)** 0.157

#### Specifications

**Temperature Rating** 105°C  
**Voltage Rating** 600 V  
**Flammability Rating** UL94V-O  
**Amp Rating** 14 AWG 15 Amps  
 16 AWG 10 Amps

#### Packaging

**Bag Qty** 100  
**Master Bag Qty** 1000

#### Certifications

**UL** Yes  
**cUL** Yes  
**RoHS** Yes

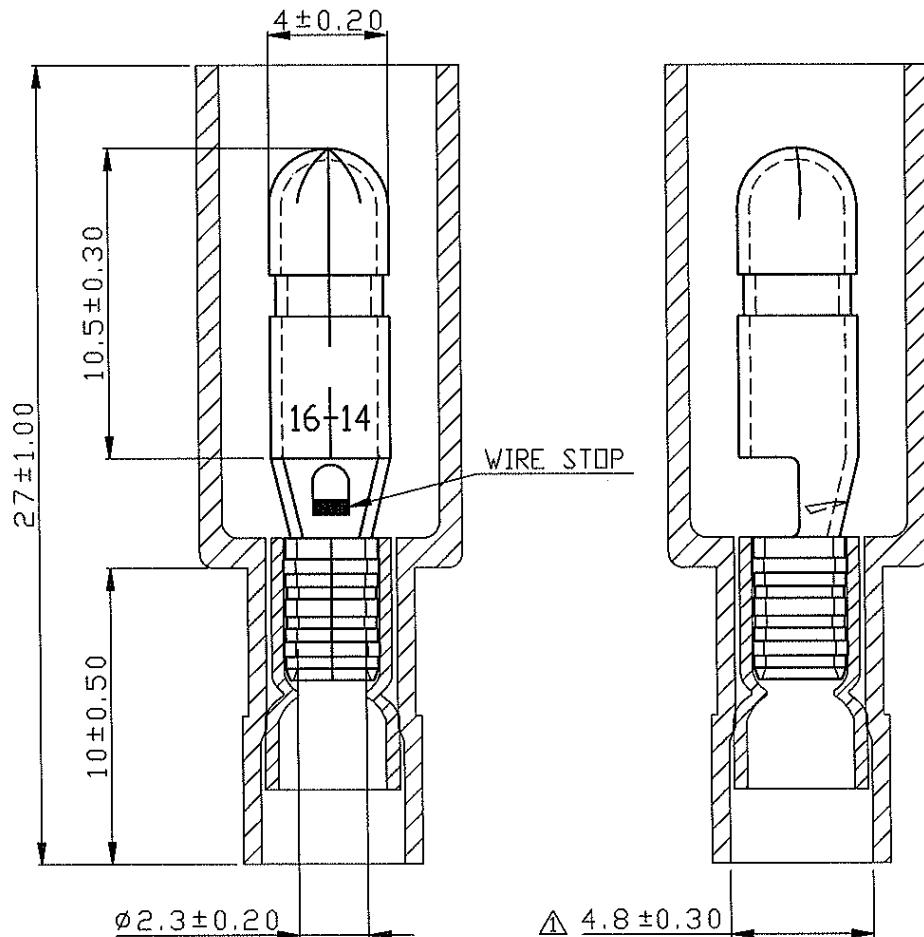
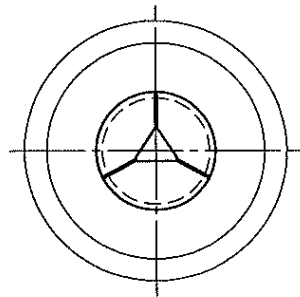
Morris Products 53 Carey Road, Queensbury, NY 12804

[www.morrisproducts.com](http://www.morrisproducts.com)



REV	DESCRIPTION	DATE
△ RDK-97119		2008/06/20

1  
2  
3  
4  
5  
6



NOTE:

1. MAXIMUM ELECTRIC CURRENT : 

A.W.G.	16	14	
AMP.	10	15	
2. MAXIMUM ELECTRICAL RATING : 105°C 600 VOLTS MAX.
3. INSULATION MATERIAL : NYLON
4. INSULATION COLOR : BLUE
5. TERMINAL MATERIAL : BRASS
6. WIRE RANGE : 16-14 A.W.G.( 1.5-2.5 mm<sup>2</sup>)
7. TERMINAL SURFACE TREATMENT : TIN PLATED
8. DOUBLE CRIMP : WITH COPPER SLEEVE ON BARREL
9. TERMINAL THICKNESS : 0.40 mm

Tolerance Unless Otherwise Specified	
0 > 6 mm ± 0.20	ANGLE
6 > 18 mm ± 0.30	0° REF ±
18 > 30 mm ± 0.40	° ±
30 > 75 mm ± 0.50	° ±

NAME	NYLON-FULLY INSULATED DOUBLE CRIMP BULLET DISCONNECTORS			UNIT	
PART NO.	12064	MATERIAL	-----	APPROVE	
NUMBER		SCALE	SHEET	PAGE	CHECKED
DATE	2006/09/25	4/1	1-1	10F2	DRAWN

Morris Products Inc.

A B C D E F G H