



Catalog Number 12058
UPC Number 60198612058
Description Nylon Insulated Bullet Disconnect
12-10
.197 OD



Features

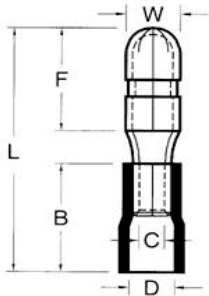
- Nylon Color Coded insulation for easy identification
- Manufactured from high strength copper alloy
- Electro-tin plated for corrosion resistance
- Expanded insulation eliminates strand “Hang Up”, provides strain relief & excellent UV, temperature and chemical resistance
- Wire range stamped on the surface for easy interpretation
- Butted seams prevent splitting under maximum pressure
- Serrated barrel & extended copper crimp sleeve provides excellent electrical contact & pull-out force resistance

General

Insulation Type Nylon
Material Brass
Finish Electro-Tin Plated
Color Yellow
Wire Range 12-10
Bullet Size 0.197

Dimension Information

T Inches (mm) 0.016
L Inches (mm) 0.925
B Inches (mm) 0.512
C Inches (mm) 0.134
D Inches (mm) 0.256
F Inches (mm) 0.335
W Inches (mm) 0.197



Specifications

Temperature Rating 167°F (75°C)
Voltage Rating 600 V
Flammability Rating UL94V-O
Amp Rating 12 AWG 20 Amps
10 AWG 24 Amps

Packaging

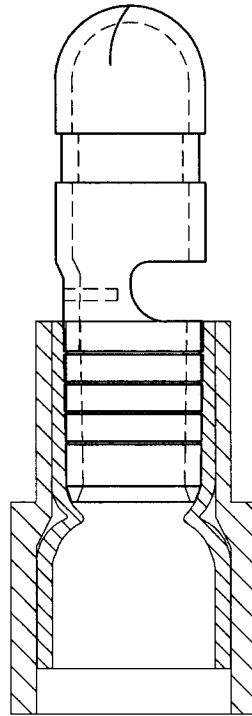
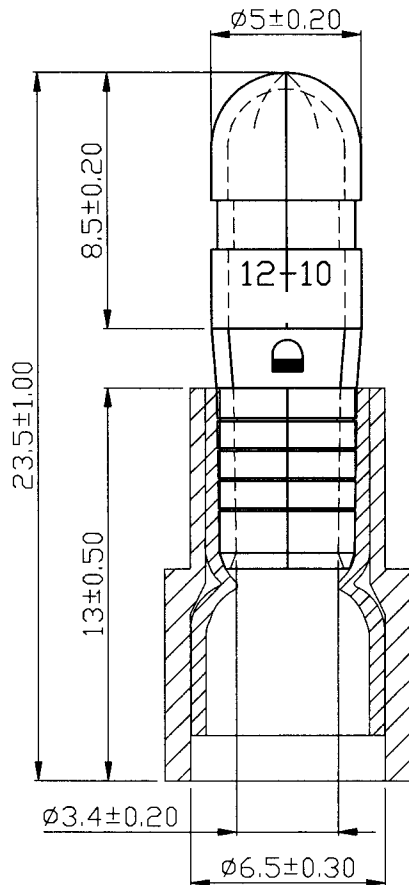
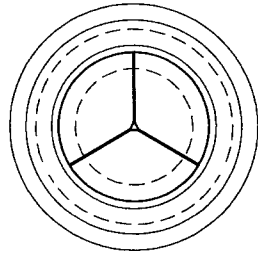
Bag Qty 100
Master Bag Qty 1000

Certifications

UL Yes
cUL Yes
RoHS Yes

Morris Products 53 Carey Road, Queensbury, NY 12804

www.morrisproducts.com



REV	DESCRIPTION	DATE
-----	-------------	------

NOTE :

1. MAXIMUM ELECTRIC CURRENT : $\frac{\text{A.W.G.} \mid 12 \mid 10}{\text{AMP.} \mid 20 \mid 24}$
2. MAXIMUM ELECTRICAL RATING : 105°C 600 VOLTS MAX.
3. INSULATION MATERIAL : NYLON
4. INSULATION COLOR : YELLOW
5. TERMINAL MATERIAL : BRASS
6. WIRE RANGE : 12-10 A.W.G. (4-6 mm²)
7. TERMINAL SURFACE TREATMENT : TIN PLATED
8. DOUBLE CRIMP : WITH COPPER SLEEVE ON BARREL
9. TERMINAL THICKNESS : 0.4 mm

Tolerance Unless Otherwise Specified	
0 > 6 mm ± 0.20	ANGLE
6 > 18 mm ± 0.30	0° REF ±
18 > 30 mm ± 0.40	° ±
30 > 75 mm ± 0.50	° ±

NAME	NYLON-INSULATED DOUBLE CRIMP BULLET DISCONNECTORS			UNIT	
PART NO.	12058	MATERIAL	-----	APPROVE	
NUMBER		SCALE	SHEET PAGE	CHECKED	
DATE	2007/08/06	4/1	1-0 10F2	DRAWN	

Morris Products Inc.