



Catalog Number 12048
UPC Number 60198612048
Description Vinyl Insulated Bullet Disconnect
 12-10
 .197 OD

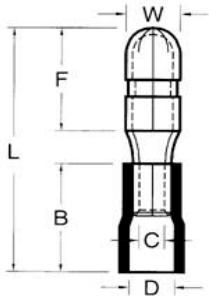


Features

- Vinyl Color Coded insulation for easy identification
- Manufactured from high strength copper alloy
- Electro-tin plated for corrosion resistance
- Expanded insulation eliminates strand “Hang Up”, provides strain relief & excellent UV, temperature and chemical resistance
- Wire range stamped on the surface for easy interpretation
- Butted seams prevent splitting under maximum pressure
- Serrated barrel provides excellent pull-out force resistance & electrical contact

General

Insulation Type Vinyl
Material Brass
Finish Electro-Tin Plated
Color Yellow
Wire Range 12-10
Bullet Size 0.197



Dimension Information

T Inches (mm) 0.016
L Inches (mm) 0.925
B Inches (mm) 0.512
C Inches (mm) 0.091
D Inches (mm) 0.217
F Inches (mm) 0.335
W Inches (mm) 0.197

Specifications

Temperature Rating 167°F (75°C)
Voltage Rating 600 V
Flammability Rating UL94V-O
Amp Rating 12 AWG 20 Amps
 10 AWG 24 Amps

Packaging

Bag Qty 100
Master Bag Qty 1000

Certifications

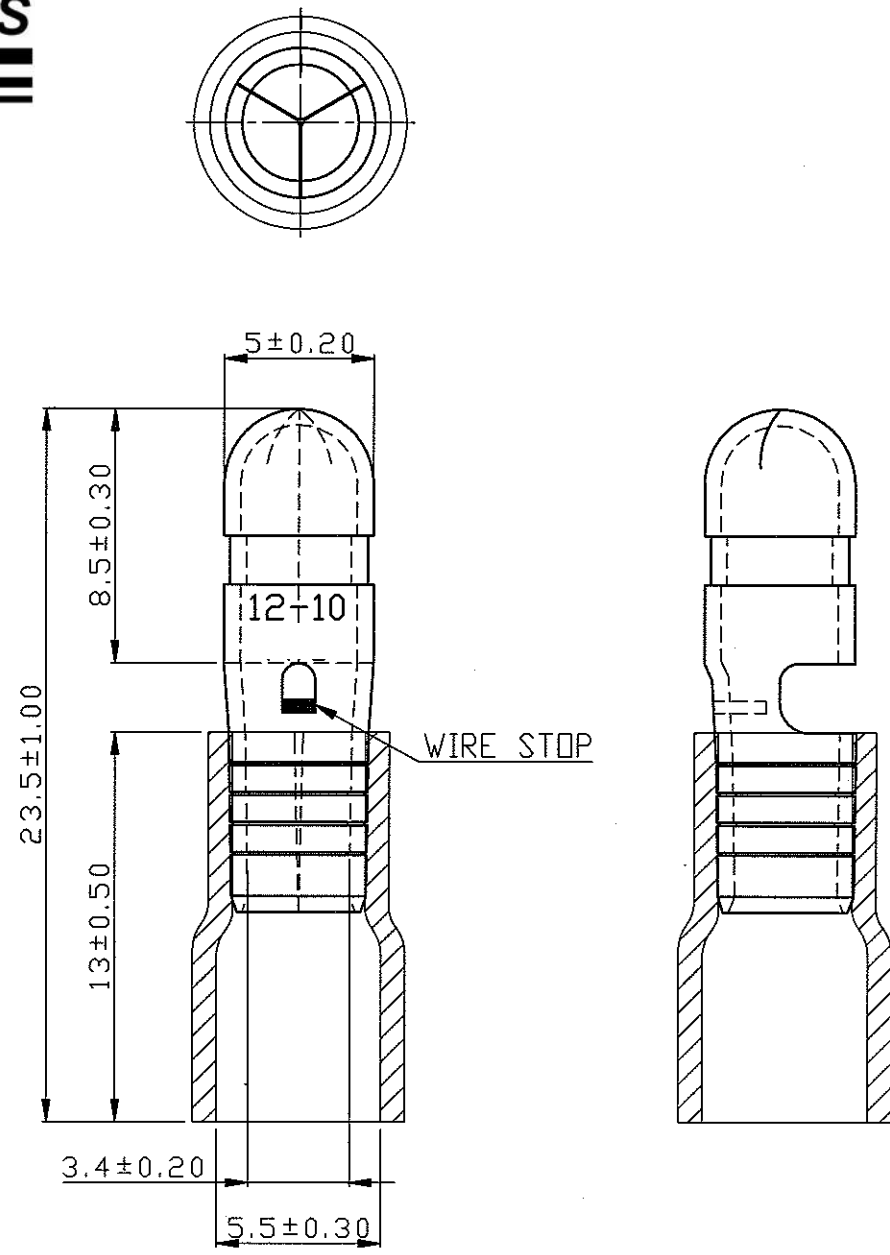
UL Yes
cUL Yes
RoHS Yes

Morris Products 53 Carey Road, Queensbury, NY 12804

www.morrisproducts.com



REV	DESCRIPTION	DATE
△ RDK-96133		2007/12/29



- NOTE :
1. MAXIMUM ELECTRIC CURRENT :

A.W.G.	12	10	
AMP.	20	24	
 2. MAXIMUM ELECTRICAL RATING : 75°C , 600 VOLTS MAX.
 3. INSULATION MATERIAL : VINYL
 4. INSULATION COLOR : YELLOW
 5. TERMINAL MATERIAL : BRASS
 6. WIRE RANGE : 12-10 A.W.G. (4 - 6 mm²)
 7. TERMINAL SURFACE TREATMENT : TIN PLATED
 8. TERMINAL THICKNESS : 0.40 mm

Tolerance Unless Otherwise Specified	
0 > 6 mm ± 0.20	ANGLE
6 > 18 mm ± 0.30	0° REF ±
18 > 30 mm ± 0.40	° ±
30 > 75 mm ± 0.50	° ±

NAME	VINYL-INSULATED BULLET DISCONNECTORS			UNIT	
PART NO.	12048	MATERIAL	-----	APPROVE	
NUMBER		SCALE	SHEET	PAGE	CHECKED
DATE	2006/06/12	4/1	1-1	10F2	DRAWN

Morris Products Inc.