



Catalog Number 12042
UPC Number 60198612042
Description Vinyl Insulated Bullet Disconnect
 22-16
 .157 OD



Features

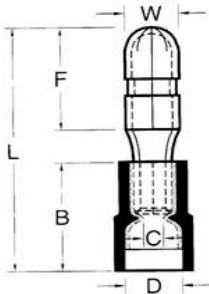
- Vinyl Color Coded insulation for easy identification
- Manufactured from high strength copper alloy
- Electro-tin plated for corrosion resistance
- Expanded insulation eliminates strand “Hang Up”, provides strain relief & excellent UV, temperature and chemical resistance
- Wire range stamped on the surface for easy interpretation
- Brazed seams prevent splitting under maximum pressure
- Serrated barrel & extended copper crimp sleeve provides excellent electrical contact & pull-out force resistance

General

Insulation Type Vinyl
Material Brass
Finish Electro-Tin Plated
Color Red
Wire Range 22-16
Bullet Size 0.157

Dimension Information

T Inches (mm) 0.016
L Inches (mm) 0.827
B Inches (mm) 0.394
C Inches (mm) 0.067
D Inches (mm) 0.157
F Inches (mm) 0.335
W Inches (mm) 0.157



Specifications

Temperature Rating 75°C
Voltage Rating 600 V
Flammability Rating UL94V-O
Amp Rating

| | |
|--------|---------|
| 22 AWG | 3 Amps |
| 20 AWG | 4 Amps |
| 18 AWG | 7 Amps |
| 16 AWG | 10 Amps |

Packaging

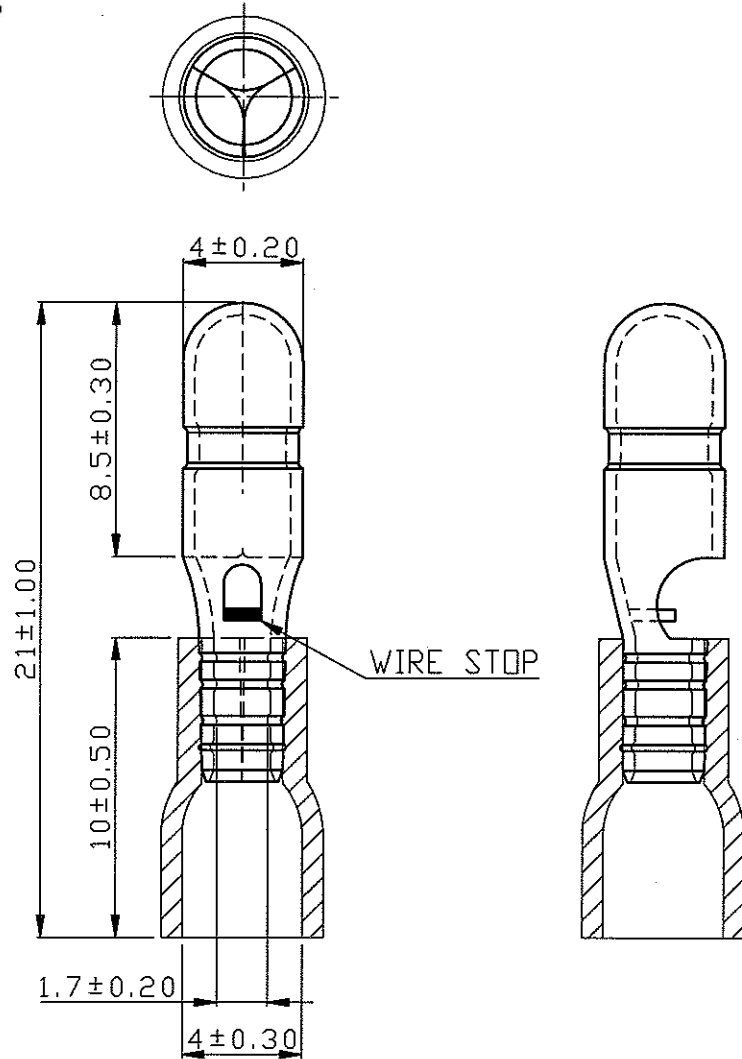
Bag Qty 100
Master Bag Qty 1000

Certifications

UL Yes
cUL Yes
RoHS Yes



| REV | DESCRIPTION | DATE |
|-----|-------------|------------|
| △ | RDK-96133 | 2007/12/29 |



- NOTE :
- MAXIMUM ELECTRIC CURRENT :

| | | | | |
|--------|----|----|----|----|
| A.W.G. | 22 | 20 | 18 | 16 |
| AMP. | 3 | 4 | 7 | 10 |
 - MAXIMUM ELECTRICAL RATING : 75°C △ 600 VOLTS MAX.
 - INSULATION MATERIAL : VINYL
 - INSULATION COLOR : RED
 - TERMINAL MATERIAL : BRASS
 - WIRE RANGE : 22-16 A.W.G. (0.5-1.5 mm²)
 - TERMINAL SURFACE TREATMENT : TIN PLATED
 - TERMINAL THICKNESS : 0.40 mm

| Tolerance Unless Otherwise Specified | |
|---|--------------|
| 0 > 6 mm ± 0.20 | ANGLE |
| 6 > 18 mm ± 0.30 | 0° > ° REF ± |
| 18 > 30 mm ± 0.40 | ° > ° ± |
| 30 > 75 mm ± 0.50 | ° > ° ± |

| | | | | | |
|----------|--------------------------------------|----------|-------|---------|---------|
| NAME | VINYL-INSULATED BULLET DISCONNECTORS | | | UNIT | ① |
| PART NO. | 12042 | MATERIAL | ----- | APPROVE | |
| NUMBER | | SCALE | SHEET | PAGE | CHECKED |
| DATE | 2006/06/12 | 4/1 | 1-1 | 10F2 | DRAWN |

Morris Products Inc.