



Catalog Number 12034
UPC Number 60198612034
Description Nylon Fully Insulated Female/Male Piggyback Disconnect
 16-14



Features

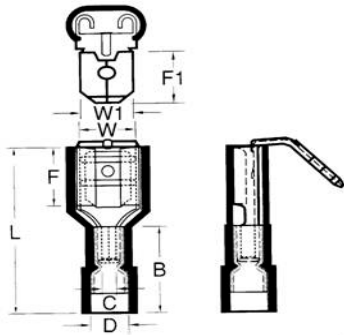
- Nylon Color Coded insulation for easy identification
- Manufactured from high strength copper alloy
- Electro-tin plated for corrosion resistance
- Expanded insulation eliminates strand “Hang Up”, provides strain relief & excellent UV, temperature and chemical resistance
- Wire range stamped on the surface for easy interpretation
- Brazed seams prevent splitting under maximum pressure
- Serrated barrel & extended crimp sleeve provides excellent pull-out force resistance & electrical contact

General

Insulation Type Nylon
Material Brass/Copper
Finish Electro-Tin Plated
Color Blue
Wire Range 16-14
Tab Size .032 X .250

Dimension Information

T Inches (mm) 0.016
L Inches (mm) 0.846
B Inches (mm) 0.433
C Inches (mm) 0.091
D Inches (mm) 0.197
F Inches (mm) 0.315
F1 Inches (mm) 0.323
W Inches (mm) 0.26
W1 Inches (mm) 0.25



Specifications

Temperature Rating 105°C
Voltage Rating 600 V
Flammability Rating UL94V-O
Amp Rating 14 AWG 15 Amps
 16 AWG 10 Amps

Packaging

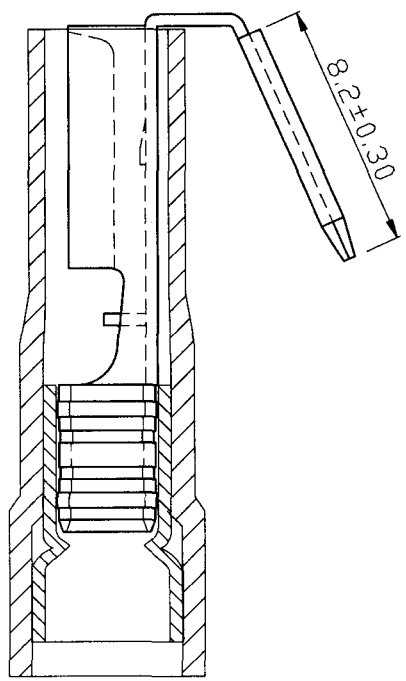
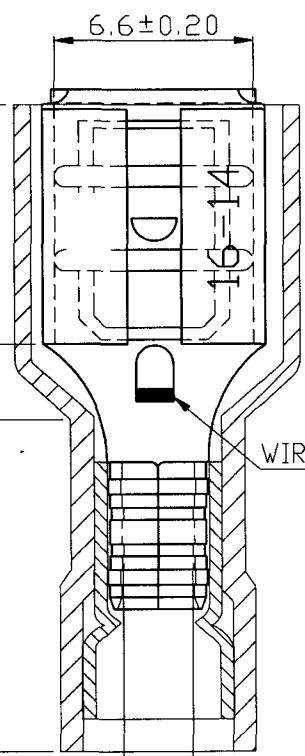
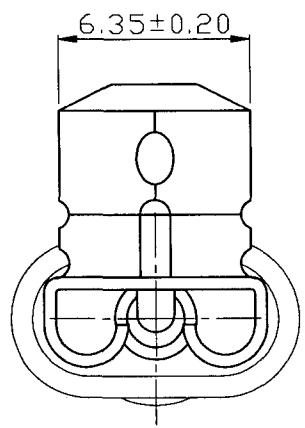
Bag Qty 100
Master Bag Qty 1000

Certifications

UL Yes
cUL Yes
RoHS Yes



REV	DESCRIPTION	DATE
-----	-------------	------



NOTE :

1. MAXIMUM ELECTRIC CURRENT :

A.W.G.	16	14	
AMP.	10	15	
2. MAXIMUM ELECTRICAL RATING : 105°C 600 VOLTS MAX.
3. INSULATION MATERIAL : NYLON
4. INSULATION COLOR : BLUE
5. TERMINAL MATERIAL : BRASS
6. WIRE RANGE : 16-14 A.W.G. (1.5-2.5 mm³)
7. NEMA TAB : 0.032 inch * 0.250 inch (0.8 mm * 6.35 mm)
8. DOUBLE CRIMP : WITH COPPER SLEEVE ON BARREL
9. TERMINAL SURFACE TREATMENT : TIN PLATED
10. TERMINAL THICKNESS : 0.40 mm

Tolerance Unless Otherwise Specified	
0 > 6 mm ± 0.20	ANGLE
6 > 18 mm ± 0.30	0° ° REF ±
18 > 30 mm ± 0.40	° ° ±
30 > 75 mm ± 0.50	° ° ±

NAME	NYLON-FULLY INSULATED DOUBLE CRIMP PIGGY BACK DISCONNECTORS				UNIT	'mm	
PART NO.	12034	MATERIAL	-----	APPROVE			
NUMBER		SCALE	SHEET	PAGE	CHECKED		
DATE	2007/08/01	4/1	1-0	10F2	DRAWN		

Morris Products Inc.