



**Catalog Number** 12032  
**UPC Number** 60198612032  
**Description** Nylon Fully Insulated Female/Male Piggyback Disconnect 22-16



#### Features

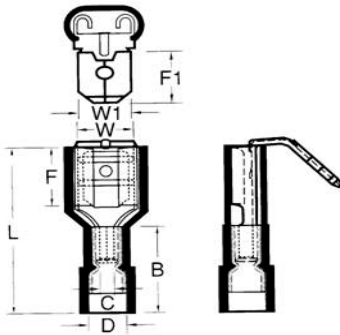
- Nylon Color Coded insulation for easy identification
- Manufactured from high strength copper alloy
- Electro-tin plated for corrosion resistance
- Expanded insulation eliminates strand “Hang Up”, provides strain relief & excellent UV, temperature and chemical resistance
- Wire range stamped on the surface for easy interpretation
- Brazed seams prevent splitting under maximum pressure
- Serrated barrel & extended crimp sleeve provides excellent pull-out force resistance & electrical contact

#### General

**Insulation Type** Nylon  
**Material** Brass/Copper  
**Finish** Electro-Tin Plated  
**Color** Red  
**Wire Range** 22-16  
**Tab Size** .032 X .250

#### Dimension Information

**T Inches (mm)** 0.016  
**L Inches (mm)** 0.846  
**B Inches (mm)** 0.433  
**C Inches (mm)** 0.067  
**D Inches (mm)** 0.157  
**F Inches (mm)** 0.315  
**F1 Inches (mm)** 0.323  
**W Inches (mm)** 0.26  
**W1 Inches (mm)** 0.25



#### Specifications

**Temperature Rating** 105°C  
**Voltage Rating** 600 V  
**Flammability Rating** UL94V-O  
**Amp Rating**

22 AWG	3 Amps
20 AWG	4 Amps
18 AWG	7 Amps
16 AWG	10 Amps

#### Packaging

**Bag Qty** 100  
**Master Bag Qty** 1000

#### Certifications

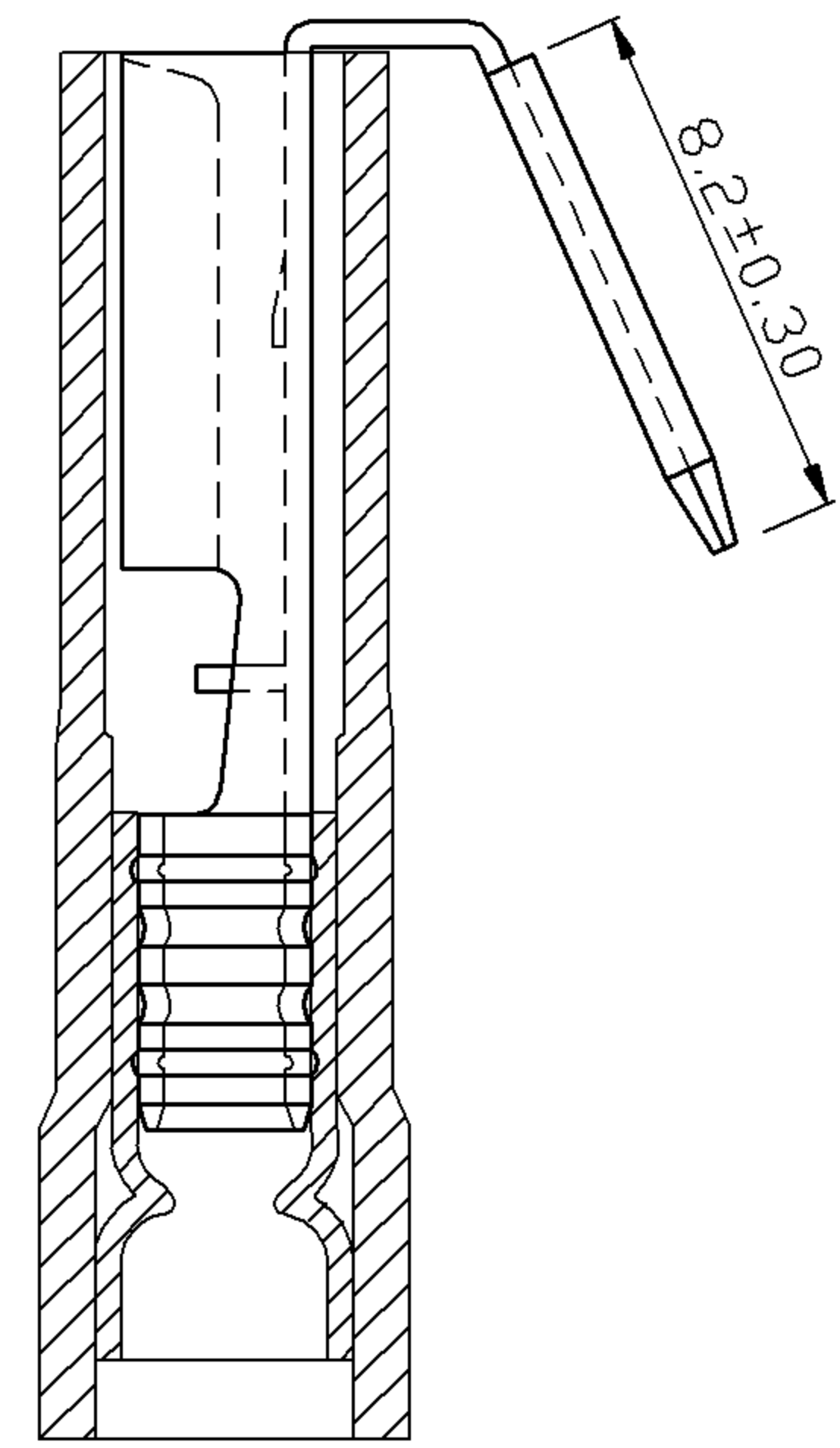
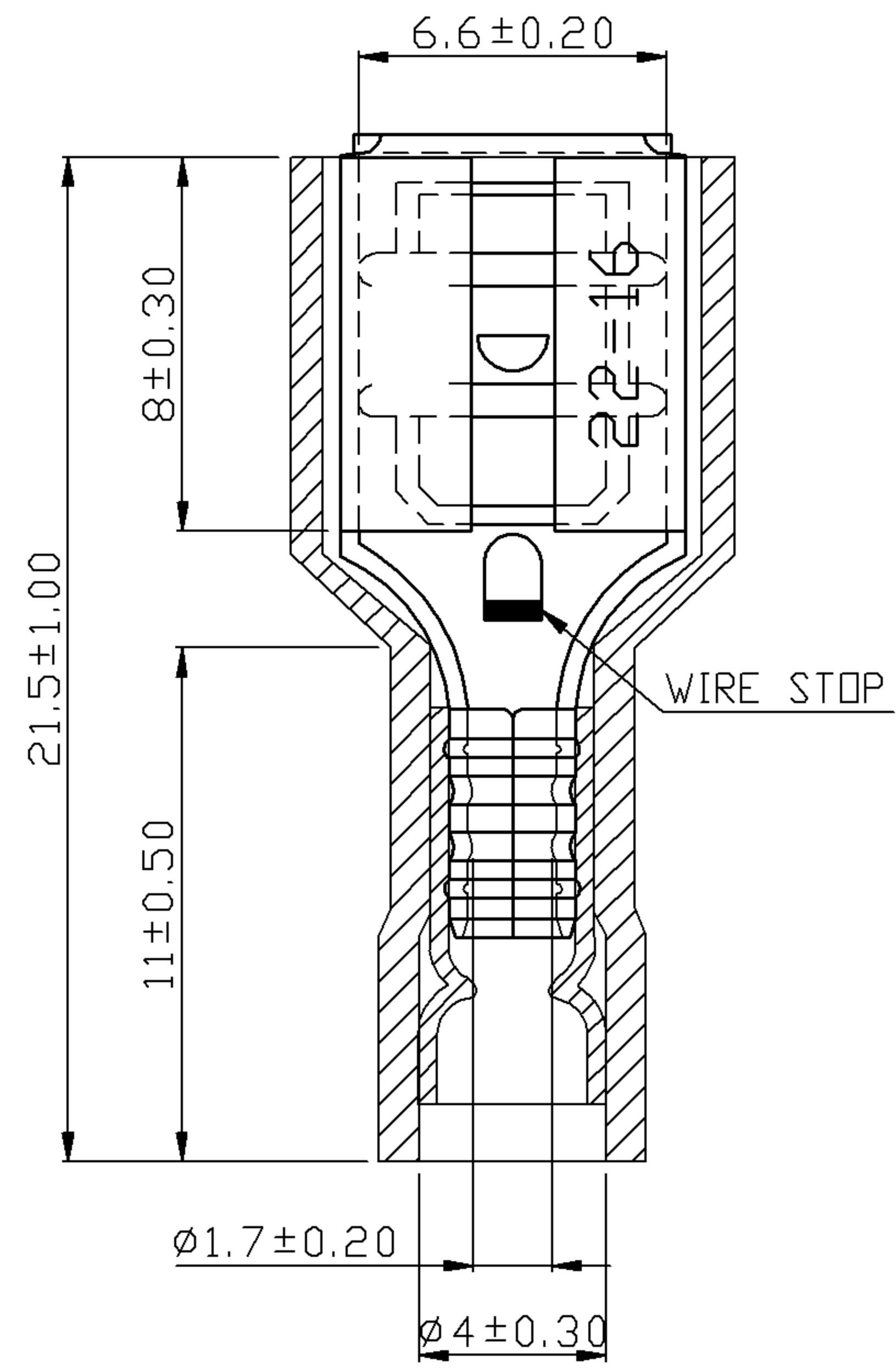
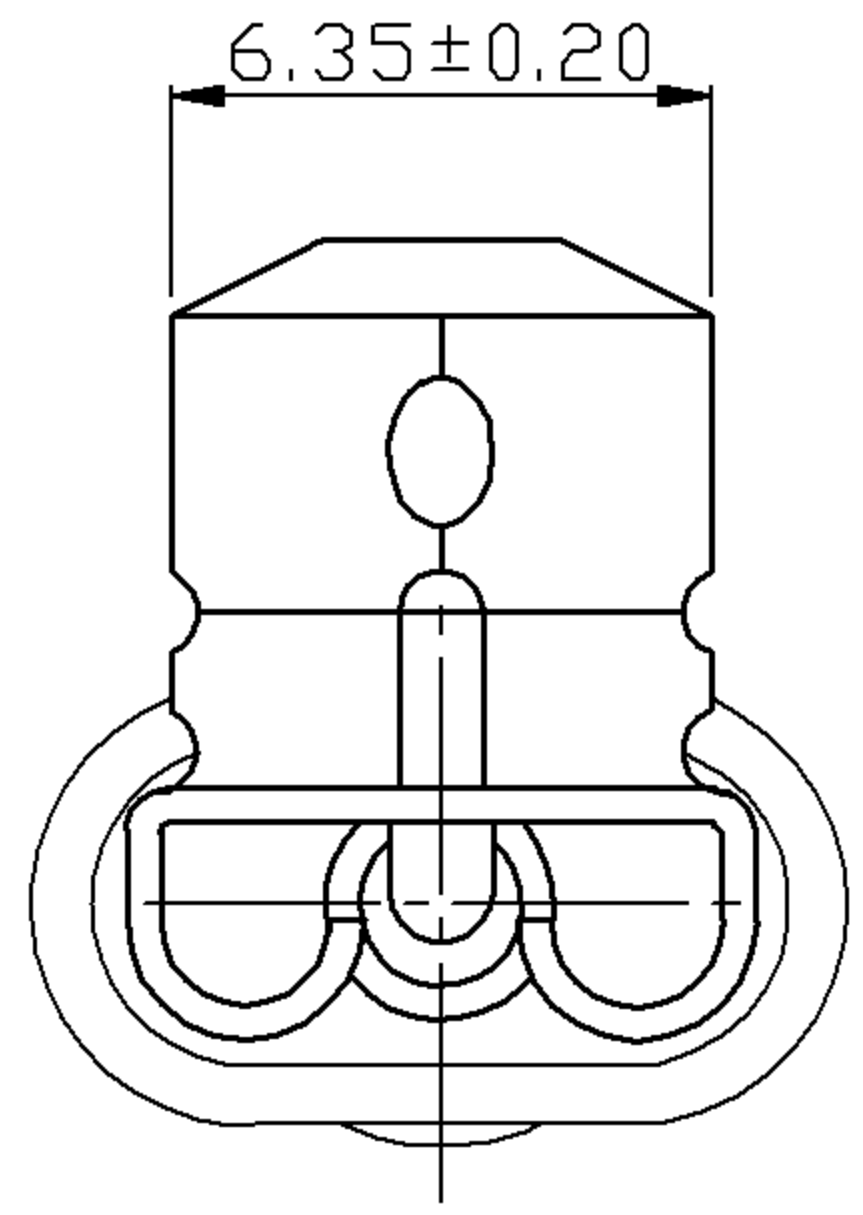
**UL** Yes  
**cUL** Yes  
**RoHS** Yes

Morris Products 53 Carey Road, Queensbury, NY 12804

[www.morrisproducts.com](http://www.morrisproducts.com)



REV	DESCRIPTION	DATE
-----	-------------	------



NOTE :

1. MAXIMUM ELECTRIC CURRENT : 

A.W.G.	22	20	18	16
AMP.	3	4	7	10
2. MAXIMUM ELECTRICAL RATING : 105°C 600 VOLTS MAX.
3. INSULATION MATERIAL : NYLON
4. INSULATION COLOR : RED
5. TERMINAL MATERIAL : BRASS
6. WIRE RANGE : 22-16 A.W.G. ( 0.5-1.5 mm<sup>2</sup> )
7. NEMA TAB : 0.032 inch \* 0.250 inch ( 0.8 mm \* 6.35 mm )
8. DOUBLE CRIMP : WITH COPPER SLEEVE ON BARREL
9. TERMINAL SURFACE TREATMENT : TIN PLATED
10. TERMINAL THICKNESS : 0.40 mm

Tolerance Unless Otherwise Specified	
0 > 6 mm ± 0.20	ANGLE
6 > 18 mm ± 0.30	0° > ° REF ±
18 > 30 mm ± 0.40	° > ° ±
30 > 75 mm ± 0.50	° > ° ±

NAME	NYLON-FULLY INSULATED DOUBLE CRIMP PIGGY BACK DISCONNECTORS			UNIT	
PART NO.	12032	MATERIAL	-----	APPROVE	
NUMBER		SCALE	SHEET	PAGE	CHECKED
DATE	2007/08/02	4/1	1-0	10F2	DRAWN

Morris Products Inc.  
53 Carey Rd. Queensbury, NY 12804