



**Catalog Number** 11958  
**UPC Number** 60198611958  
**Description** Nylon Insulated Male Disconnect Connectors  
12-10 AWG



#### Features

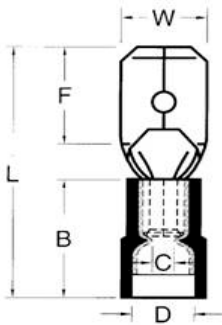
- Nylon Color Coded insulation for easy identification
- Manufactured from high strength copper alloy
- Electro-tin plated for corrosion resistance
- Expanded insulation eliminates strand “Hang Up”, provides strain relief & excellent UV, temperature and chemical resistance
- Wire range stamped on the surface for easy interpretation
- Brazed seams prevent splitting under maximum pressure
- Serrated barrel provides excellent electrical contact & pull-out force resistance

#### General

Insulation Type Nylon  
Material Brass  
Finish Electro-Tin Plated  
Color Yellow  
Wire Range 12-10  
Tab Size .032 X .250

#### Dimension Information

Stock Thickness 0.016  
L Inches (mm) 0.945  
B Inches (mm) 0.512  
C Inches (mm) 0.134  
D Inches (mm) 0.256  
F Inches (mm) 0.303  
W Inches (mm) 0.25



#### Specifications

Temperature Rating 105°C  
Voltage Rating 300 V  
Flammability Rating UL94V-O  
Amp Rating 12 AWG 35 Amps  
10 AWG 50 Amps

#### Packaging

Bag Qty 100  
Master Bag Qty 1000

#### Certifications

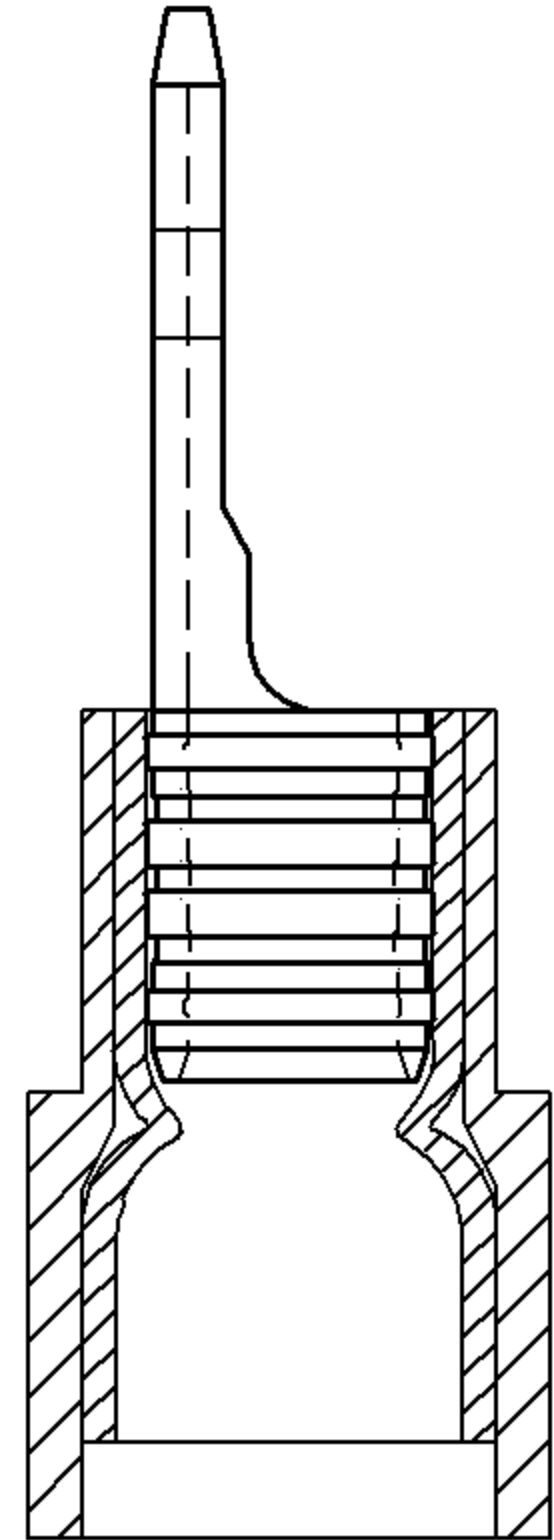
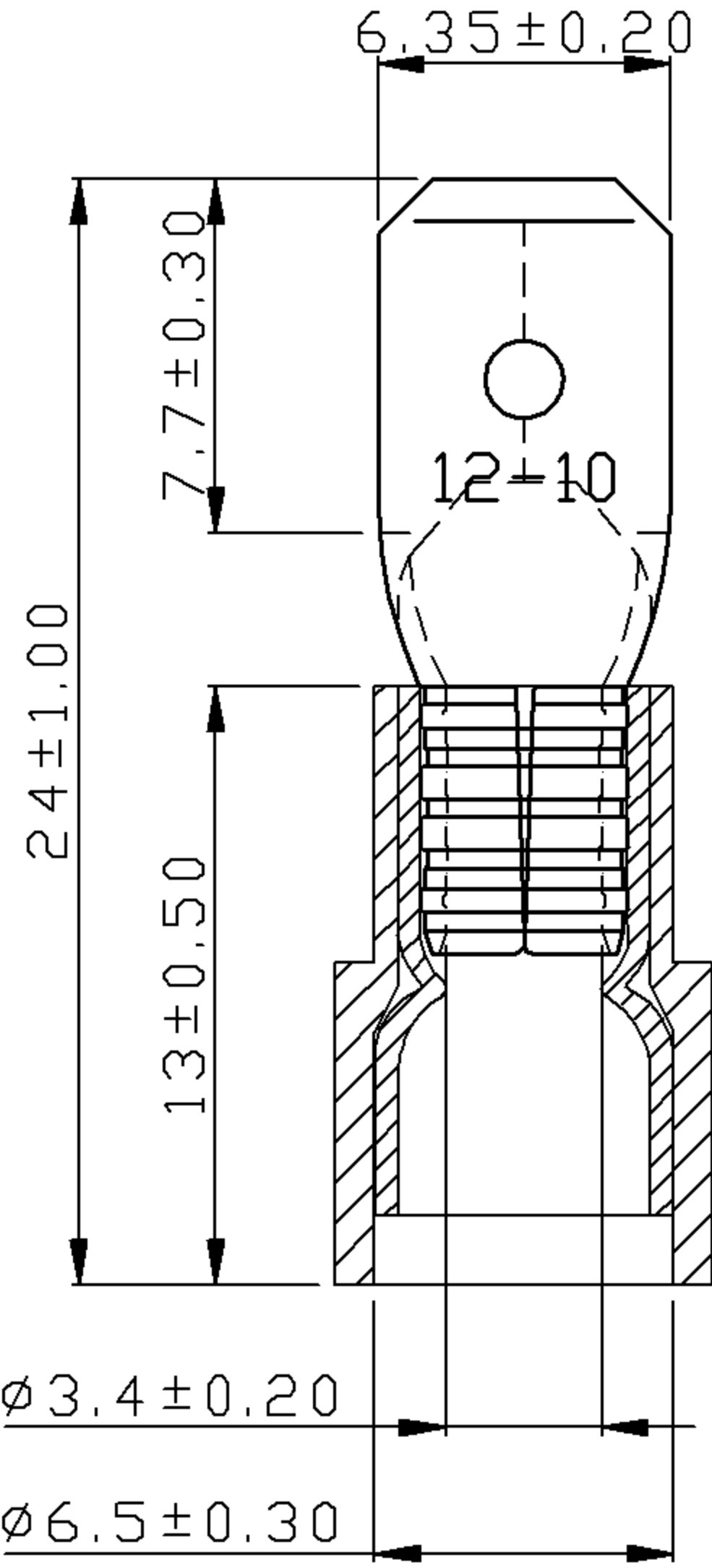
UL Yes  
cUL Yes  
RoHS Yes

Morris Products 53 Carey Road, Queensbury, NY 12804

[www.morrisproducts.com](http://www.morrisproducts.com)



REV	DESCRIPTION	DATE
-----	-------------	------



- NOTE:
1. MAXIMUM ELECTRIC CURRENT : 

A.W.G.	12	10	
AMP.	20	24	
  2. MAXIMUM ELECTRICAL RATING : 105°C 600 VOLTS MAX.
  3. INSULATION MATERIAL : NYLON
  4. INSULATION COLOR : YELLOW
  5. TERMINAL MATERIAL : BRASS
  6. WIRE RANGE : 12-10 A.W.G.( 4-6 mm<sup>2</sup>)
  7. TERMINALS SURFACE TREATMENT : TIN PLATED
  8. DOUBLE CRIMP : WITH COPPER SLEEVE ON BARREL
  9. NEMA TAB : 0.032 \* 0.250 (0.8 \* 6.35)
  10. TERMINALS THICKNESS : 0.4 mm

Tolerance Unless Otherwise Specified	
0 > 6 mm ± 0.20	ANGLE
6 > 18 mm ± 0.30	0° > ° REF ±
18 > 30 mm ± 0.40	° > ° ±
30 > 75 mm ± 0.50	° > ° ±

NAME	NYLON-INSULATED DOUBLE CRIMP MALE DISCONNECTORS			UNIT	
PART NO.	11958	MATERIAL	-----	APPROVE	
NUMBER		SCALE	SHEET	PAGE	CHECKED
DATE	2006/08/10	3/1	1-0	10F2	DRAWN

Morris Products Inc.  
53 Carey Rd. Queensbury, NY 12804