



Catalog Number 11952
UPC Number 60198611952
Description Nylon Insulated Male Disconnect Connectors
 16-14 AWG

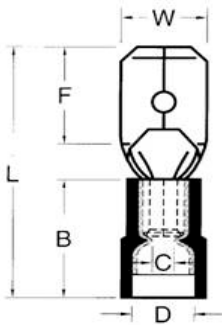


Features

- Nylon Color Coded insulation for easy identification
- Manufactured from high strength copper alloy
- Electro-tin plated for corrosion resistance
- Expanded insulation eliminates strand “Hang Up”, provides strain relief & excellent UV, temperature and chemical resistance
- Wire range stamped on the surface for easy interpretation
- Brazed seams prevent splitting under maximum pressure
- Serrated barrel provides excellent electrical contact & pull-out force resistance

General

Insulation Type Nylon
 Material Brass
 Finish Electro-Tin Plated
 Color Blue
 Wire Range 16-14
 Tab Size .020 X .187



Dimension Information

Stock Thickness 0.02
 L Inches (mm) 0.787
 B Inches (mm) 0.433
 C Inches (mm) 0.091
 D Inches (mm) 0.197
 F Inches (mm) 0.256
 W Inches (mm) 0.189

Specifications

Temperature Rating 105°C
 Voltage Rating 300 V
 Flammability Rating UL94V-O
 Amp Rating 14 AWG 30 Amps
 16 AWG 18 Amps

Packaging

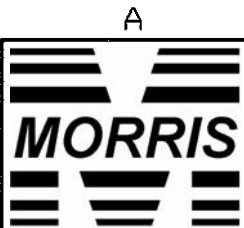
Bag Qty 100
 Master Bag Qty 1000

Certifications

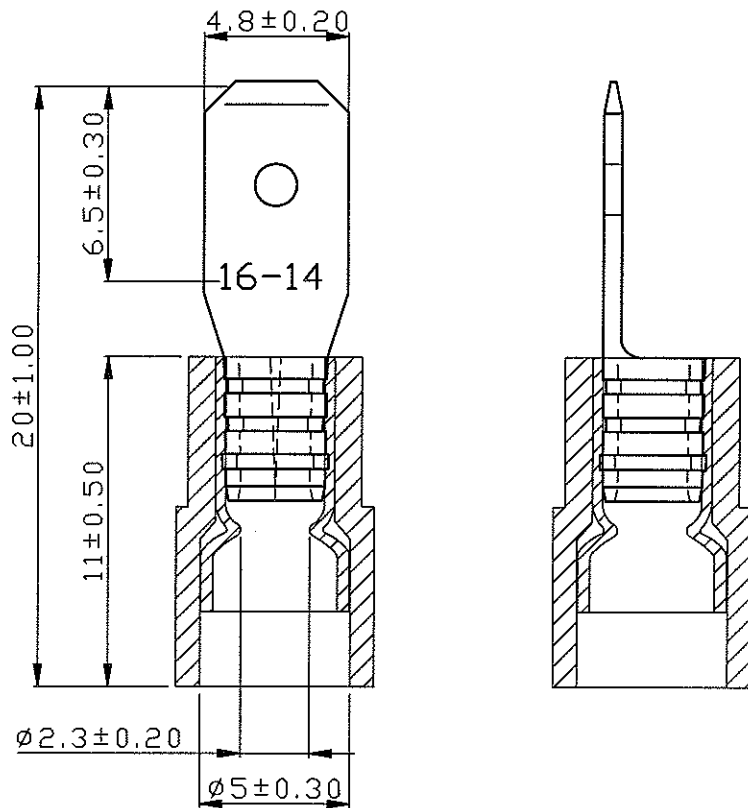
UL Yes
 cUL Yes
 RoHS Yes

Morris Products 53 Carey Road, Queensbury, NY 12804

www.morrisproducts.com



REV	DESCRIPTION	DATE
-----	-------------	------



NOTE :

- MAXIMUM ELECTRIC CURRENT :

A.W.G.	16	14	
AMP.	10	15	
- MAXIMUM ELECTRICAL RATING : 105°C 600 VOLTS MAX.
- INSULATION MATERIAL : NYLON
- INSULATION COLOR : BLUE
- TERMINAL MATERIAL : BRASS
- WIRE RANGE : 16-14 A.W.G. (1.5-2.5 mm²)
- NEMA TAB : 0.020 inch * 0.187 inch (0.5 mm * 4.75 mm)
- DOUBLE CRIMP : WITH COPPER SLEEVE ON BARREL
- TERMINAL SURFACE TREATMENT : TIN PLATED
- TERMINAL THICKNESS : 0.50 mm

Tolerance Unless Otherwise Specified	
0 > 6 mm ± 0.20	ANGLE
6 > 18 mm ± 0.30	0° REF ±
18 > 30 mm ± 0.40	° ±
30 > 75 mm ± 0.50	° ±

NAME	NYLON-INSULATED DOUBLE CRIMP MALE DISCONNECTORS			UNIT	
PART NO.	11952	MATERIAL	-----	APPROVE	
NUMBER		SCALE	SHEET	PAGE	CHECKED
DATE	2006/08/28	4/1	1-0	10F2	DRAWN

Morris Products Inc.