



Catalog Number 11942
UPC Number 60198611942
Description Nylon Insulated Male Disconnect Connectors
 22-16 AWG

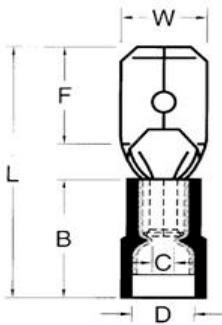


Features

- Nylon Color Coded insulation for easy identification
- Manufactured from high strength copper alloy
- Electro-tin plated for corrosion resistance
- Expanded insulation eliminates strand “Hang Up”, provides strain relief & excellent UV, temperature and chemical resistance
- Wire range stamped on the surface for easy interpretation
- Brazed seams prevent splitting under maximum pressure
- Serrated barrel provides excellent electrical contact & pull-out force resistance

General

Insulation Type Nylon
 Material Brass
 Finish Electro-Tin Plated
 Color Red
 Wire Range 22-16
 Tab Size .020 X .110



Dimension Information

Stock Thickness 0.02
 L Inches (mm) 0.756
 B Inches (mm) 0.413
 C Inches (mm) 0.067
 D Inches (mm) 0.15
 F Inches (mm) 0.256
 W Inches (mm) 0.11

Specifications

Temperature Rating 105°C
 Voltage Rating 300 V
 Flammability Rating UL94V-O
 Amp Rating 22 AWG 9 Amps
 20 AWG 12 Amps
 18 AWG 17 Amps
 16 AWG 18 Amps

Packaging

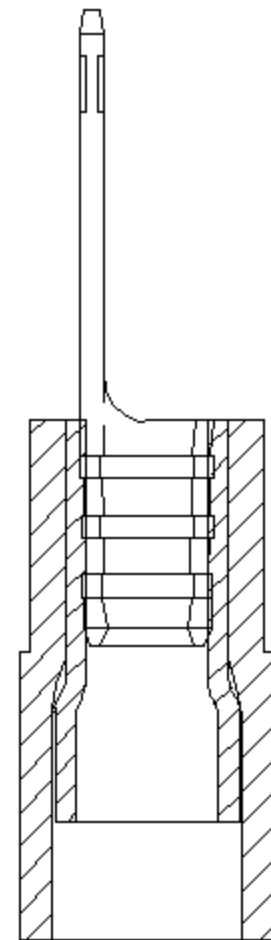
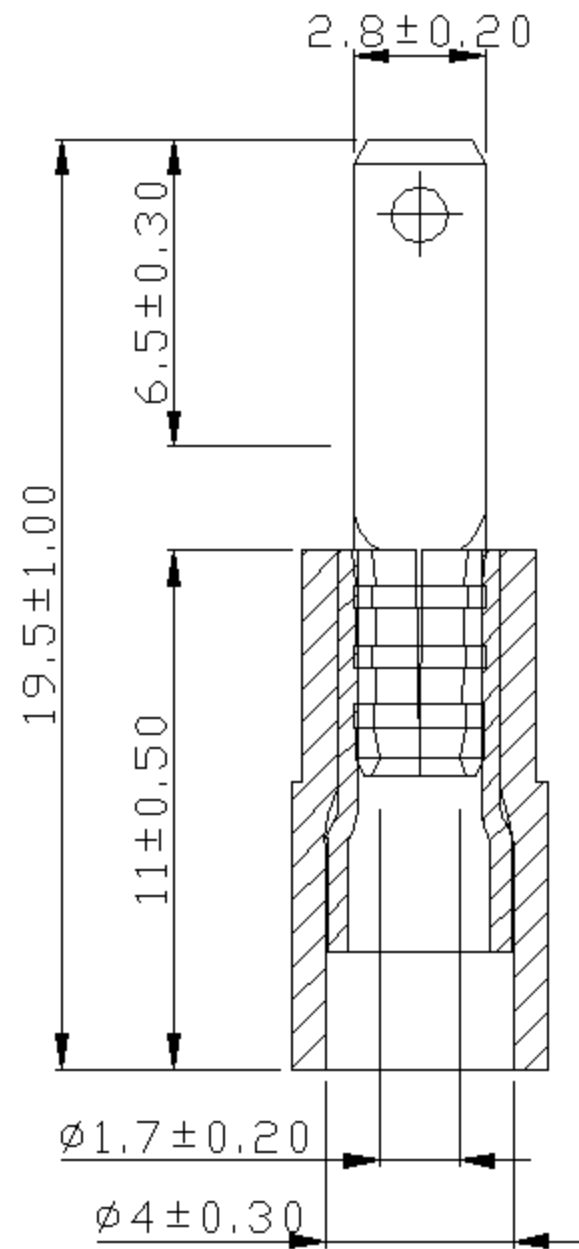
Bag Qty 100
 Master Bag Qty 1000

Certifications

UL Yes
 cUL Yes
 RoHS Yes



REV	DESCRIPTION	DATE
-----	-------------	------



NOTE:

1. MAXIMUM ELECTRIC CURRENT :

A.W.G.	22	20	18	16
AMP.	3	4	7	10
2. MAXIMUM ELECTRICAL RATING : 105°C 600 VOLTS MAX.
3. INSULATION MATERIAL : NYLON
4. INSULATION COLOR : RED
5. TERMINAL MATERIAL : BRASS
6. WIRE RANGE : 22-16 A.W.G.(0.5-1.5 mm²)
7. TERMINALS SURFACE TREATMENT : TIN PLATED
8. DOUBLE CRIMP : WITH COPPER SLEEVE ON BARREL
9. NEMA TAB : 0.020 * 0.110 (0.5 * 2.8)
10. TERMINALS THICKNESS : 0.5 mm

Tolerance Unless Otherwise Specified	
0 >6 mm ±0.20	ANGLE
6 >18 mm ±0.30	0° > ° REF ±
18 >30 mm ±0.40	° ±
30 >75 mm ±0.50	° ±

NAME	NYLON-INSULATED DOUBLE CRIMP MALE DISCONNECTORS			UNIT	
PART NO.	11942	MATERIAL	-----	APPROVE	
NUMBER		SCALE	SHEET	PAGE	CHECKED
DATE	2006/08/28	4/1	1-0	20F2	DRAWN

Morris Products Inc.