



**Catalog Number** 11914  
**UPC Number** 60198611914  
**Description** Nylon Insulated Female Disconnect Connectors  
 16-14 AWG

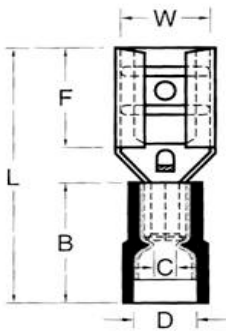


**Features**

- Nylon Color Coded insulation for easy identification
- Manufactured from high strength copper alloy
- Electro-tin plated for corrosion resistance
- Expanded insulation eliminates strand “Hang Up”, provides strain relief & excellent UV, temperature and chemical resistance
- Wire range stamped on the surface for easy interpretation
- Brazed seams prevent splitting under maximum pressure
- Serrated barrel provides excellent electrical contact & pull-out force resistance

**General**

Insulation Type Nylon  
 Material Brass  
 Finish Electro-Tin Plated  
 Color Blue  
 Wire Range 16-14  
 Tab Size .020 X .110



**Dimension Information**

Stock Thickness 0.012  
 L Inches (mm) 0.772  
 B Inches (mm) 0.433  
 C Inches (mm) 0.091  
 D Inches (mm) 0.197  
 F Inches (mm) 0.252  
 W Inches (mm) 0.126

**Specifications**

Temperature Rating 105°C  
 Voltage Rating 300 V  
 Flammability Rating UL94V-O  
 Amp Rating 14 AWG 30 Amps  
 16 AWG 18 Amps

**Packaging**

Bag Qty 100  
 Master Bag Qty 1000

**Certifications**

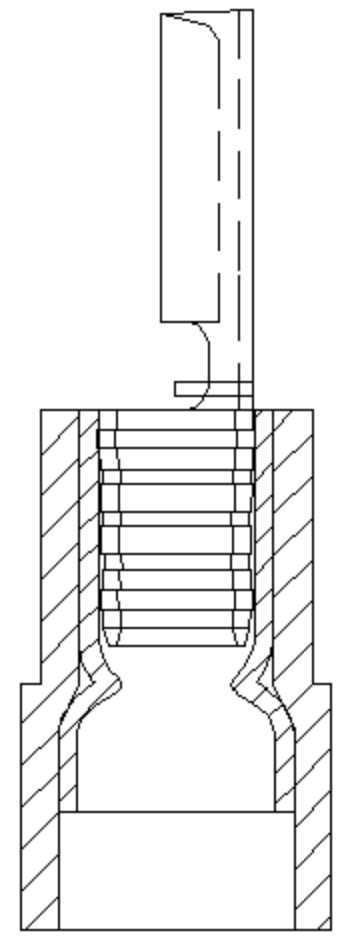
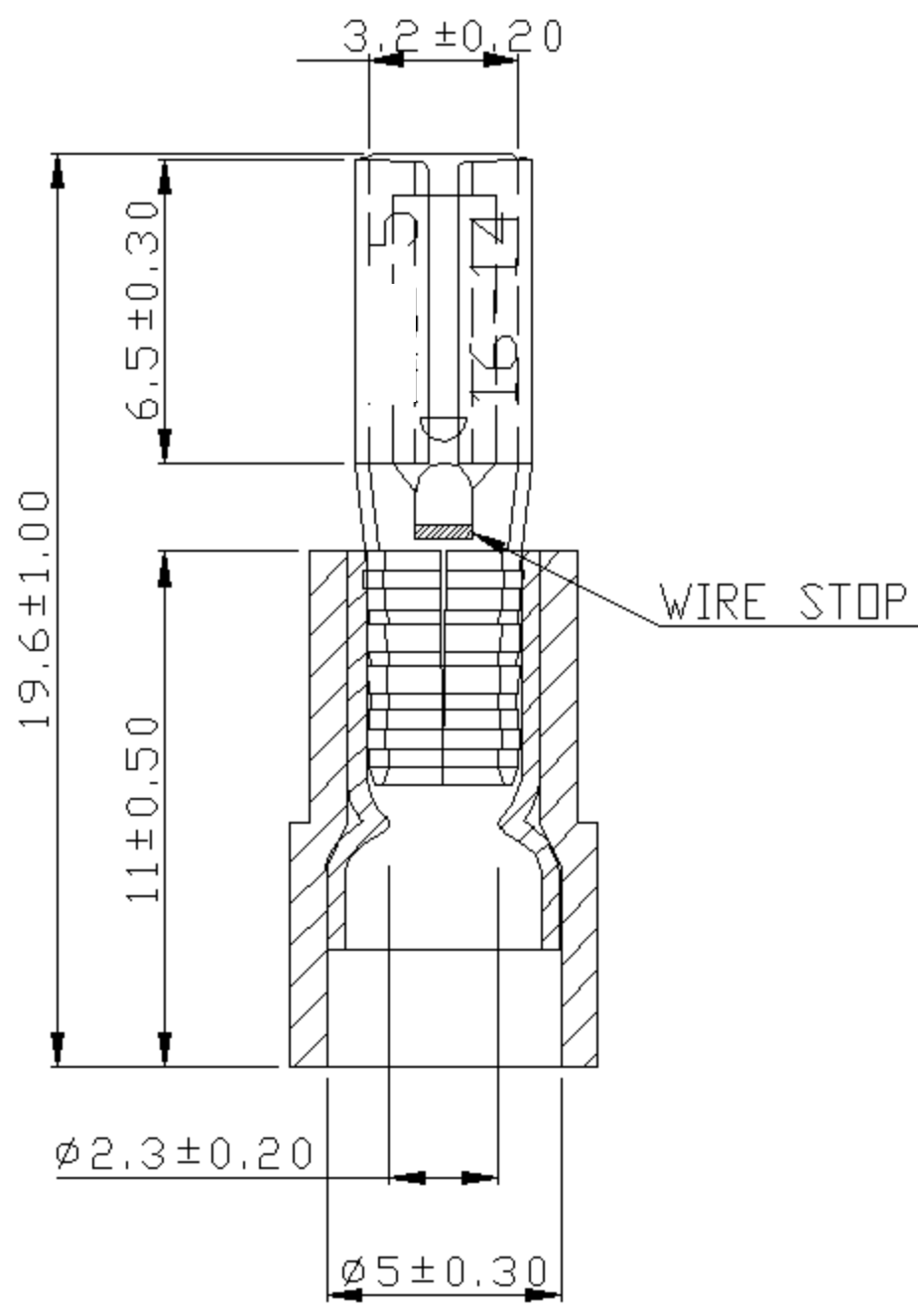
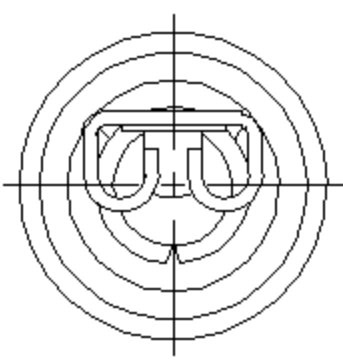
UL Yes  
 cUL Yes  
 RoHS Yes

Morris Products 53 Carey Road, Queensbury, NY 12804

[www.morrisproducts.com](http://www.morrisproducts.com)



REV	DESCRIPTION	DATE
-----	-------------	------



NOTE:

1. MAXIMUM ELECTRIC CURRENT : 

A.W.G.	16	14	
AMP.	10	15	
2. MAXIMUM ELECTRICAL RATING : 105°C 600 VOLTS MAX.
3. INSULATION MATERIAL : NYLON
4. INSULATION COLOR : BLUE
5. TERMINAL MATERIAL : BRASS
6. WIRE RANGE : 16-14 A.W.G.( 1.5-2.5 mm<sup>2</sup>)
7. TERMINAL SURFACE TREATMENT : TIN PLATED
8. DOUBLE CRIMP : WITH COPPER SLEEVE ON BARREL
9. NEMA TAB : 0.020 \* 0.110 (0.5 \* 2.8 )
10. TERMINAL THICKNESS : 0.30 mm

Tolerance Unless Otherwise Specified	
0 > 6 mm ± 0.20	ANGLE
6 > 18 mm ± 0.30	0° REF ±
18 > 30 mm ± 0.40	±
30 > 75 mm ± 0.50	±

NAME	NYLON-INSULATED DOUBLE CRIMP FEMALE DISCONNECTORS			UNIT	
PART NO.	11914	MATERIAL	-----	APPROVE	
NUMBER		SCALE	SHEET	PAGE	CHECKED
DATE	2006/09/06	4/1	1-0	10F2	DRAWN

Morris Products Inc.