



Catalog Number 11616
UPC Number 60198611616
Description Nylon Insulated Fork Spade Terminal
 22-16 AWG

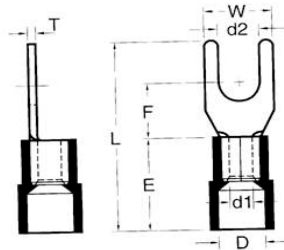


Features

- Color Coded insulation for easy identification
- Manufactured from high strength copper alloy
- Electro-tin plated for corrosion resistance
- Easy entry expanded insulation eliminates strand “Hang Up”, increases the crimping rates and the reliability of the termination
- Wire range stamped on the surface for easy interpretation
- Brazed seams prevent splitting under maximum pressure
- Serrated barrel & flared insulation sleeve provides excellent contact & mechanical stress relief at insulation & barrel junction

General

Insulation Type Nylon
Material Copper Tubular/Copper Plate
Finish Electro-Tin Plated
Color Red
Wire Range 22-16
Stud Size #8



Dimension Information

L Inches (mm) 0.866
D Inches (mm) 0.157
D1 Inches (mm) 0.067
D2 Inches (mm) 0.169
E Inches (mm) 0.433
F Inches (mm) 0.256
W Inches (mm) 0.319
T Inches (mm) 0.03

Specifications

Temperature Rating 105°C
Voltage Rating 600 V
Flammability Rating UL94V-O
Amp Rating

22 AWG	9 Amps
20 AWG	12 Amps
18 AWG	17 Amps
16 AWG	18 Amps

Packaging

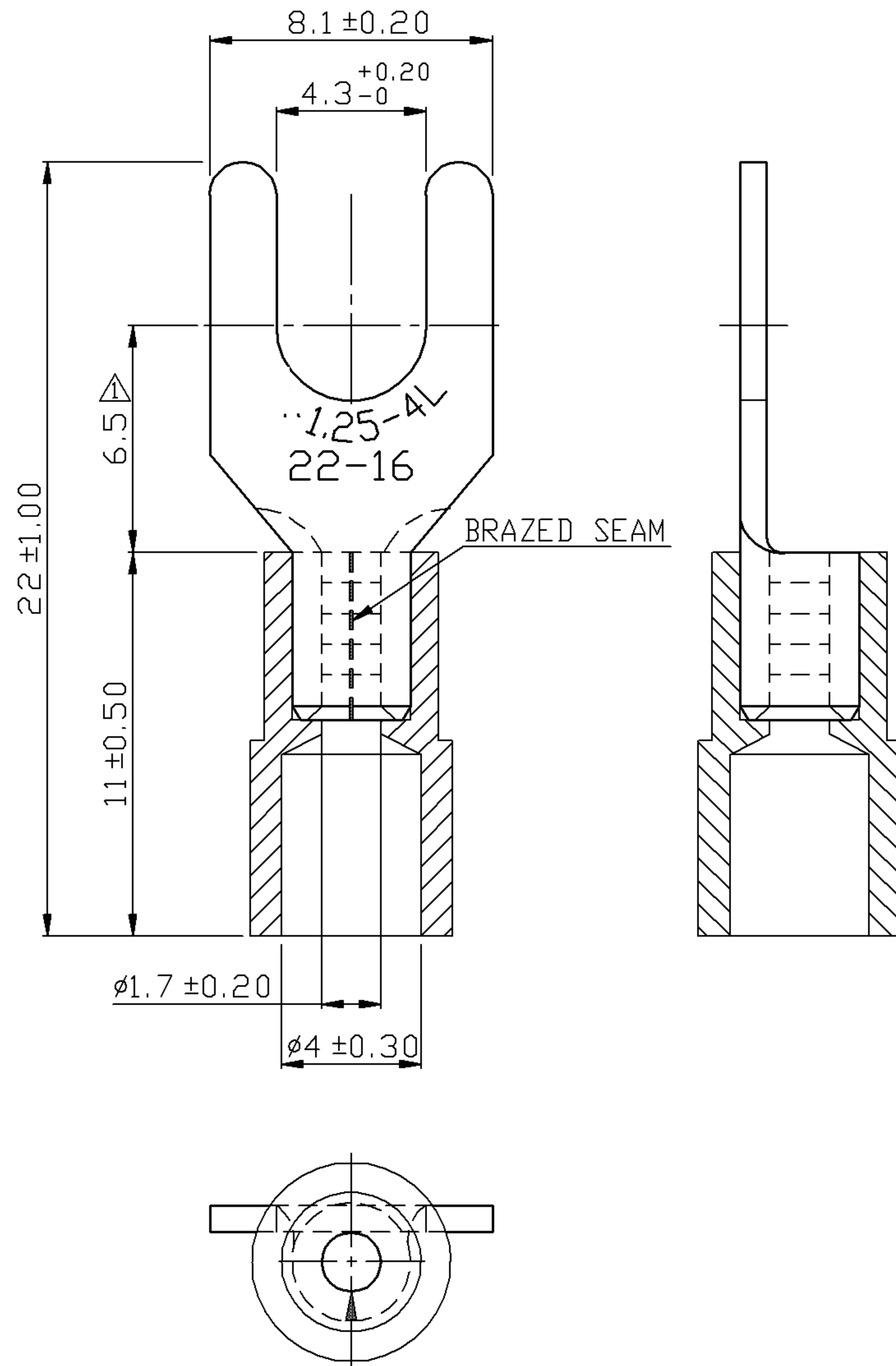
Bag Qty 100
Master Bag Qty 1000

Certifications

UL Yes
cUL Yes
RoHS Yes



REV	DESCRIPTION	DATE
△	RDK-97127	2009/09/23
△	RDK-98020	2009/09/23



NOTE :

- MAXIMUM ELECTRIC CURRENT :

A.W.G.	22	20	18	16
AMP.	9	12	17	18
- MAXIMUM ELECTRICAL RATING : 105°C 600 VOLTS MAX.
- INSULATION MATERIAL : NYLON
- INSULATION COLOR : RED
- TERMINAL MATERIAL : COPPER
- WIRE RANGE : 22-16 A.W.G. (0.5-1.5 mm²)
- TERMINAL SURFACE TREATMENT : TIN PLATED
- TERMINAL THICKNESS : 0.75 mm

△ Tolerance Unless	
□ Otherwise Specified	
0 >	mm ± ANGLE
>	mm ± 0° ° REF ±
>	mm ± ° ° ±
>	mm ± ° ° ±

NAME	NYLON-INSULATED SPADE TERMINALS				UNIT	mm	
PART NO.	11616	MATERIAL	-----	APPROVE			
NUMBER		SCALE	SHEET	PAGE	CHECKED		
DATE	2007/01/11	4/1	1-2	10F2	DRAWN		

Morris Products Inc.
53 Carey Rd. Queensbury, NY 12804