



Catalog Number 11312
UPC Number 60198611312
Description Nylon Insulated Ring Terminals
 22-16 AWG



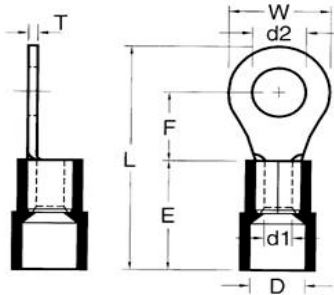
Features

Color Coded Nylon insulation for easy identification
 Manufactured from high strength copper alloy
 Electro-tin plated for corrosion resistance
 Expanded Insulation funnel entry eliminates strand “Hang Up”, increases the crimping rates and the reliability of the termination
 Wire range stamped on the surface for easy interpretation
 Brazed seam prevent splitting under maximum pressure
 Serrated barrel & flared position of sleeve provides excellent contact & mechanical stress relief at insulation & barrel junction

General

Insulation Type Nylon
Material Copper
Finish Electro-tin plated
Color Red
Wire Range 22-16 AWG
Stud Size #4

Dimension Information



L Inches (mm) 0.728
W Inches (mm) 0.216
D Inches (mm) 0.157
d1 Inches (mm) 0.067
d2 Inches (mm) 0.126
E Inches (mm) 0.433
F Inches (mm) 0.197
T Inches (mm) 0.03

Specifications

Temperature Rating 105°C
Voltage Rating 600 V
Flammability Rating UL94V-O
Amp Rating

| | |
|--------|---------|
| 22 AWG | 9 Amps |
| 20 AWG | 12 Amps |
| 18 AWG | 17 Amps |
| 16 AWG | 18 Amps |

Packaging

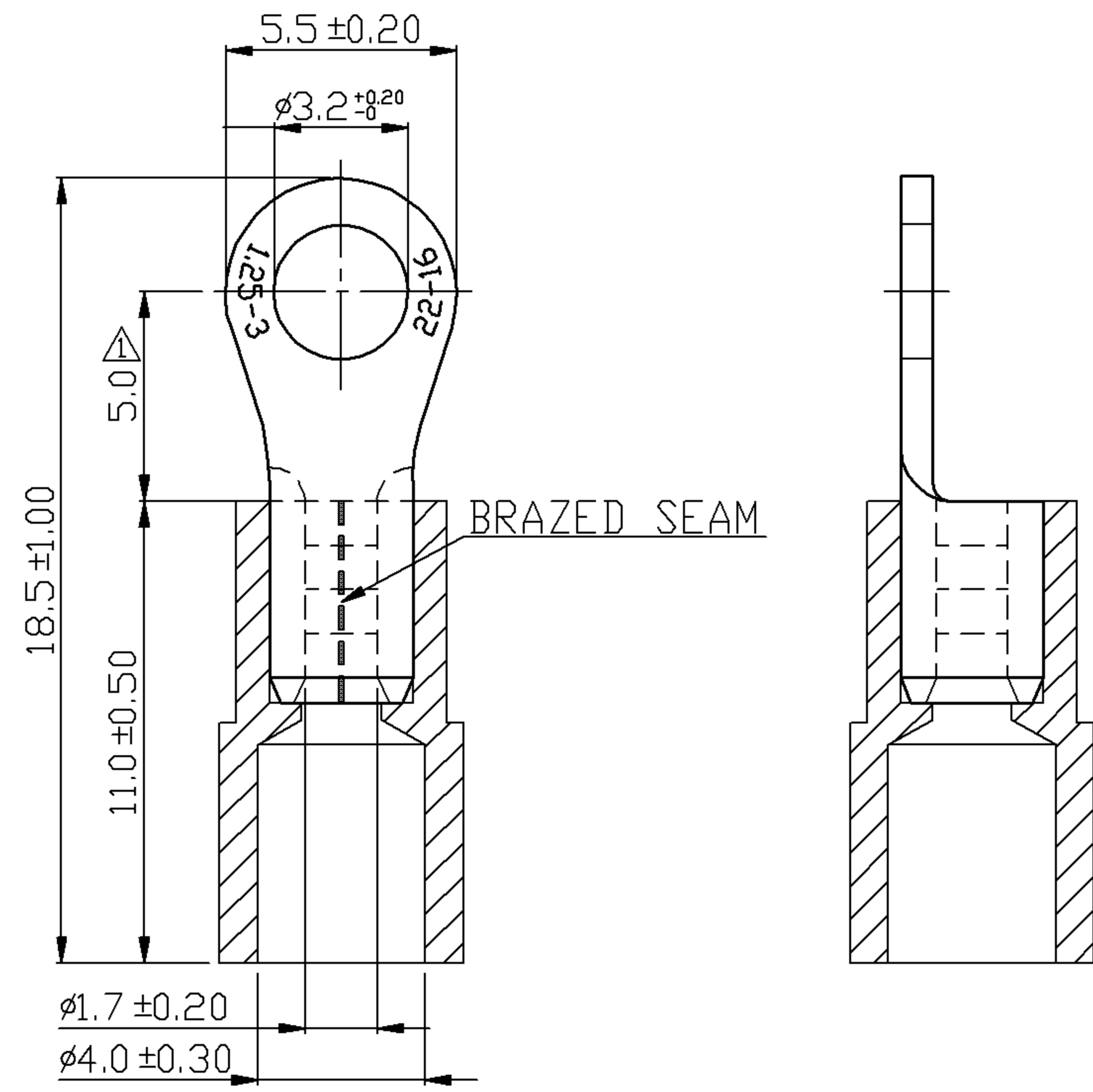
Bag Qty 100
Master Bag Qty 1000

Certifications

UL Yes
cUL Yes
RoHS Yes

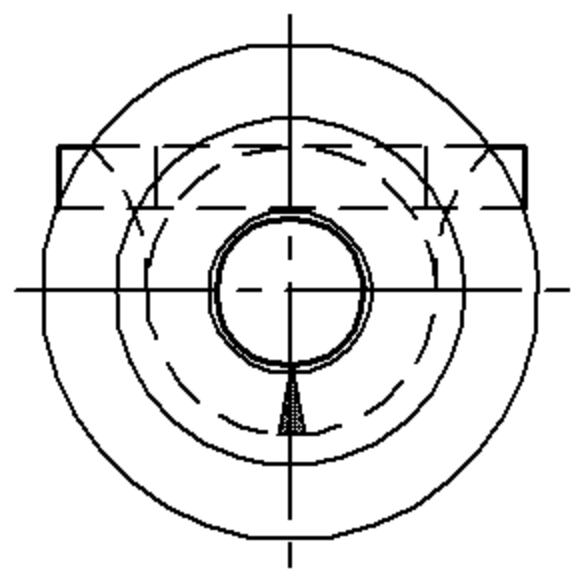


| REV | DESCRIPTION | DATE |
|-----|-------------|------------|
| △ | RDK-97127 | 2009/09/18 |
| △ | RDK-98020 | 2009/09/18 |



- NOTE :
- MAXIMUM ELECTRIC CURRENT :

| | | | | |
|--------|----|----|----|----|
| A.W.G. | 22 | 20 | 18 | 16 |
| AMP. | 9 | 12 | 17 | 18 |
 - MAXIMUM ELECTRICAL RATING : 105°C 600 VOLTS MAX.
 - INSULATION MATERIAL : NYLON
 - INSULATION COLOR : RED
 - TERMINAL MATERIAL : COPPER
 - WIRE RANGE : 22-16 A.W.G. (0.5-1.5 mm²)
 - TERMINAL SURFACE TREATMENT : TIN PLATED
 - TERMINAL THICKNESS : 0.75 mm



| | |
|---------------------|------|
| Tolerance Unless | |
| Otherwise Specified | |
| 0 > | mm ± |
| > | mm ± |
| > | mm ± |
| > | mm ± |

| | | | | | | | |
|----------|--------------------------------|----------|-------|---------|---------|----|--|
| NAME | NYLON-INSULATED RING TERMINALS | | | | UNIT | mm | |
| PART NO. | 11312 | MATERIAL | ----- | APPROVE | | | |
| NUMBER | | SCALE | SHEET | PAGE | CHECKED | | |
| DATE | 2007/08/08 | 4/1 | 1-2 | 10F2 | DRAWN | | |

Morris Products Inc.
53 Carey Rd. Queensbury, NY 12804