



Catalog Number 11094
UPC Number 60198611094
Description Non-Insulated Ring Terminals
 6 AWG

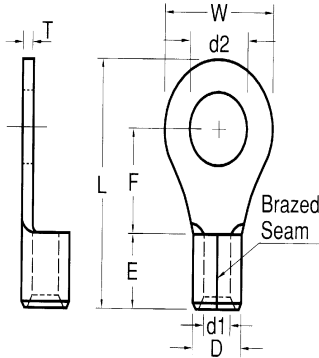


Features

- Non-Insulated
- Manufactured from high strength copper alloy
- Electro-tin plated for corrosion resistance
- Brazed seam prevents splitting under maximum pressure
- Wire range stamped on the surface for easy interpretation

General

Insulation Type None
Material Copper
Finish Electro-tin plated
Color N/A
Wire Range 6 AWG
Stud Size 1/4



Dimension Information

L Inches (mm) 1.173
W Inches (mm) 0.472
D Inches (mm) 0.354
d1 Inches (mm) 0.228
d2 Inches (mm) 0.252
E Inches (mm) 0.413
F Inches (mm) 0.524
T Inches (mm) 0.059

Specifications

Temperature Rating 150°C
Voltage Rating 600 V
Flammability Rating N/A
Amp Rating 6 AWG 95 Amps

Packaging

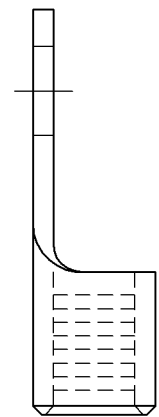
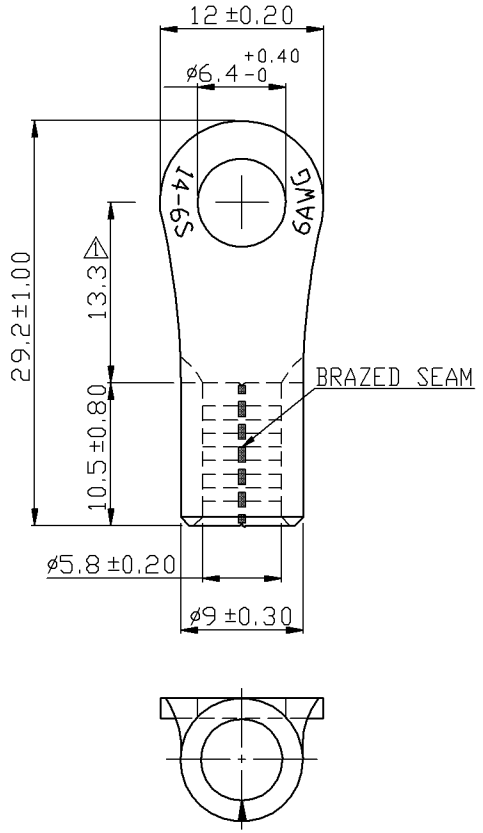
Bag Qty 100
Master Bag Qty 1000

Certifications

UL Yes
cUL Yes
RoHS Yes



REV	DESCRIPTION	DATE
△ RDK-97127		2008/08/28
△ RDK-98020		2009/09/18



- NOTE :
1. MAXIMUM ELECTRIC CURRENT :

A.W.G.	6		
AMP.	95		
 2. WIRE RANGE : 6 A.W.G. (14 mm^2)
 3. SURFACE TREATMENT : TIN PLATED
 4. THICKNESS : 1.50 mm

Tolerance Unless Otherwise Specified	
0 >	mm ± ANGLE
>	mm ± 0° ° REF ±
>	mm ± ° ° ±
>	mm ± ° ° ±

NAME	NON-INSULATED RING TERMINALS			UNIT	mm	
PART NO.	11094	MATERIAL	COPPER	APPROVE		
NUMBER		SCALE	SHEET	PAGE	CHECKED	
DATE	2005/10/12	2/1	1-2	10F2	DRAWN	

Morris Products Inc.