



**Catalog Number** 11046  
**UPC Number** 60198611046  
**Description** Non-Insulated Ring Terminals  
 16-14 AWG



**Features**

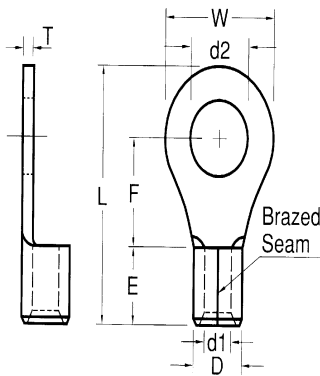
- Non-Insulated
- Manufactured from high strength copper alloy
- Electro-tin plated for corrosion resistance
- Brazed seam prevents splitting under maximum pressure
- Wire range stamped on the surface for easy interpretation

**General**

**Insulation Type** None  
**Material** Copper  
**Finish** Electro-tin plated  
**Color** N/A  
**Wire Range** 16-14  
**Stud Size** 3/8

**Dimension Information**

**L Inches (mm)** 1.004  
**W Inches (mm)** 0.535  
**D Inches (mm)** 0.161  
**d1 Inches (mm)** 0.091  
**d2 Inches (mm)** 0.413  
**E Inches (mm)** 0.189  
**F Inches (mm)** 0.547  
**T Inches (mm)** 0.031



**Specifications**

**Temperature Rating** 150°C  
**Voltage Rating** 600 V  
**Flammability Rating** N/A  
**Amp Rating** 16 AWG 18 Amps  
 14 AWG 30 Amps

**Packaging**

**Bag Qty** 100  
**Master Bag Qty** 1000

**Certifications**

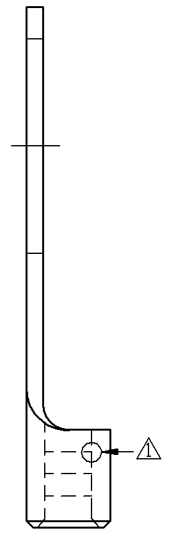
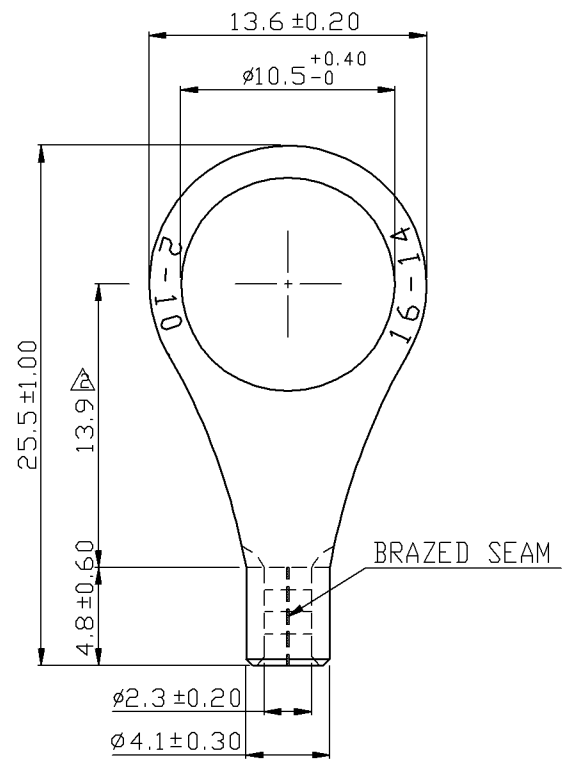
**UL** Yes  
**cUL** Yes  
**RoHS** Yes

Morris Products 53 Carey Road, Queensbury, NY 12804

[www.morrisproducts.com](http://www.morrisproducts.com)



REV	DESCRIPTION	DATE
△	RDK-96036	2007/09/12
△	RDK-97127	2008/10/20
△	RDK-98020	2009/09/30



- NOTE :
1. MAXIMUM ELECTRIC CURRENT : 

A.W.G.	16	14	
AMP.	18	30	
  2. WIRE RANGE : 16-14 A.W.G. ( 1.5-2.5 mm<sup>2</sup> )
  3. SURFACE TREATMENT : TIN PLATED
  4. THICKNESS : 0.80 mm

Tolerance Unless Otherwise Specified	
0 >	mm ± ANGLE
>	mm ± 0° ° REF ±
>	mm ± ° ° ±
>	mm ± ° ° ±

NAME	NON-INSULATED RING TERMINALS				UNIT	mm
PART NO.	11046	MATERIAL	COPPER	APPROVE		
NUMBER		SCALE	SHEET	PAGE	CHECKED	
DATE	2006/09/26	3/1	1-3	10F2	DRAWN	

Morris Products Inc.