



**Catalog Number** 11040  
**UPC Number** 60198611040  
**Description** Non-Insulated Ring Terminals  
16-14 AWG



#### Features

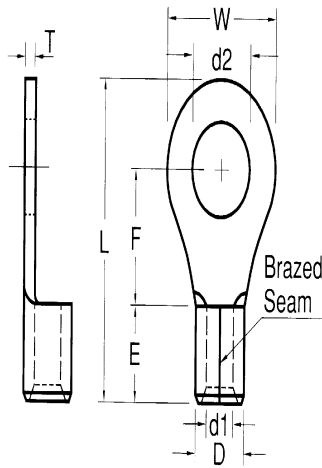
- Non-Insulated
- Manufactured from high strength copper alloy
- Electro-tin plated for corrosion resistance
- Brazed seam prevents splitting under maximum pressure
- Wire range stamped on the surface for easy interpretation

#### General

**Insulation Type** None  
**Material** Copper  
**Finish** Electro-tin plated  
**Color** N/A  
**Wire Range** 16-14  
**Stud Size** #10

#### Dimension Information

**L Inches (mm)** 0.661  
**W Inches (mm)** 0.335  
**D Inches (mm)** 0.161  
**d1 Inches (mm)** 0.091  
**d2 Inches (mm)** 0.209  
**E Inches (mm)** 0.189  
**F Inches (mm)** 0.307  
**T Inches (mm)** 0.031



#### Specifications

**Temperature Rating** 150°C  
**Voltage Rating** 600 V  
**Flammability Rating** N/A  
**Amp Rating** 16 AWG 18 Amps  
14 AWG 30 Amps

#### Packaging

**Bag Qty** 100  
**Master Bag Qty** 1000

#### Certifications

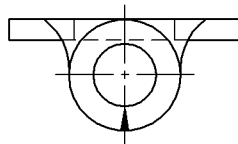
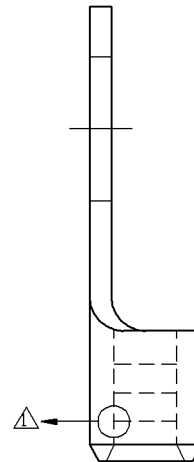
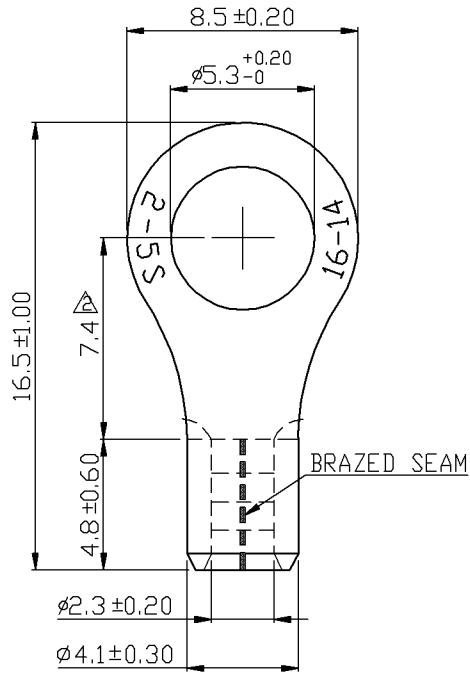
**UL** Yes  
**cUL** Yes  
**RoHS** Yes

Morris Products 53 Carey Road, Queensbury, NY 12804

[www.morrisproducts.com](http://www.morrisproducts.com)



| REV | DESCRIPTION | DATE       |
|-----|-------------|------------|
| △   | RDK-96036   | 2007/09/12 |
| △   | RDK-97127   | 2008/10/20 |
| △   | RDK-98020   | 2009/09/30 |



NOTE :

- MAXIMUM ELECTRIC CURRENT : 

|        |    |    |  |
|--------|----|----|--|
| A.W.G. | 16 | 14 |  |
| AMP.   | 18 | 30 |  |
- WIRE RANGE : 16-14 A.W.G. ( 1.5-2.5 mm<sup>2</sup> )
- SURFACE TREATMENT : TIN PLATED
- THICKNESS : 0.80 mm

| Tolerance Unless Otherwise Specified |                 |
|--------------------------------------|-----------------|
| 0 >                                  | mm ± ANGLE      |
| >                                    | mm ± 0° ° REF ± |
| >                                    | mm ± ° ° ±      |
| >                                    | mm ± ° ° ±      |

|          |                              |          |        |         |         |  |
|----------|------------------------------|----------|--------|---------|---------|--|
| NAME     | NON-INSULATED RING TERMINALS |          |        | UNIT    | mm      |  |
| PART NO. | 11040                        | MATERIAL | COPPER | APPROVE |         |  |
| NUMBER   |                              | SCALE    | SHEET  | PAGE    | CHECKED |  |
| DATE     | 2006/09/26                   | 4/1      | 1-3    | 10F2    | DRAWN   |  |

Morris Products Inc.