



**Catalog Number** 10414  
**UPC Number** 60198610414  
**Description** Nylon Fully Insulated Female Disconnect  
 12-10 AWG



**Features**

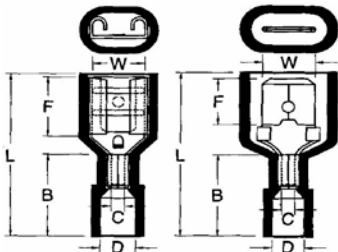
- Nylon Color Coded insulation for easy identification
- Manufactured from high strength copper alloy
- Electro-tin plated for corrosion resistance
- Expanded insulation eliminates strand “Hang Up”, provides strain relief & excellent UV, temperature and chemical resistance
- Wire range stamped on the surface for easy interpretation
- Brazed seams prevent splitting under maximum pressure
- Serrated barrel provides excellent electrical contact & pull-out force resistance

**General**

**Insulation Type** Nylon  
**Material** Brass  
**Finish** Electro-Tin Plated  
**Color** Yellow  
**Wire Range** 12-10  
**Tab Size** .250 X .032

**Dimension Information**

**Stock Thickness** 0.016  
**L Inches (mm)** 0.945  
**B Inches (mm)** 0.512  
**C Inches (mm)** 0.134  
**D Inches (mm)** 0.248  
**F Inches (mm)** 0.287  
**W Inches (mm)** 0.26



**Specifications**

**Temperature Rating** 105°C  
**Voltage Rating** 300 V  
**Flammability Rating** UL94V-O  
**Amp Rating** 12 AWG 20 Amps  
 10 AWG 24 Amps

**Packaging**

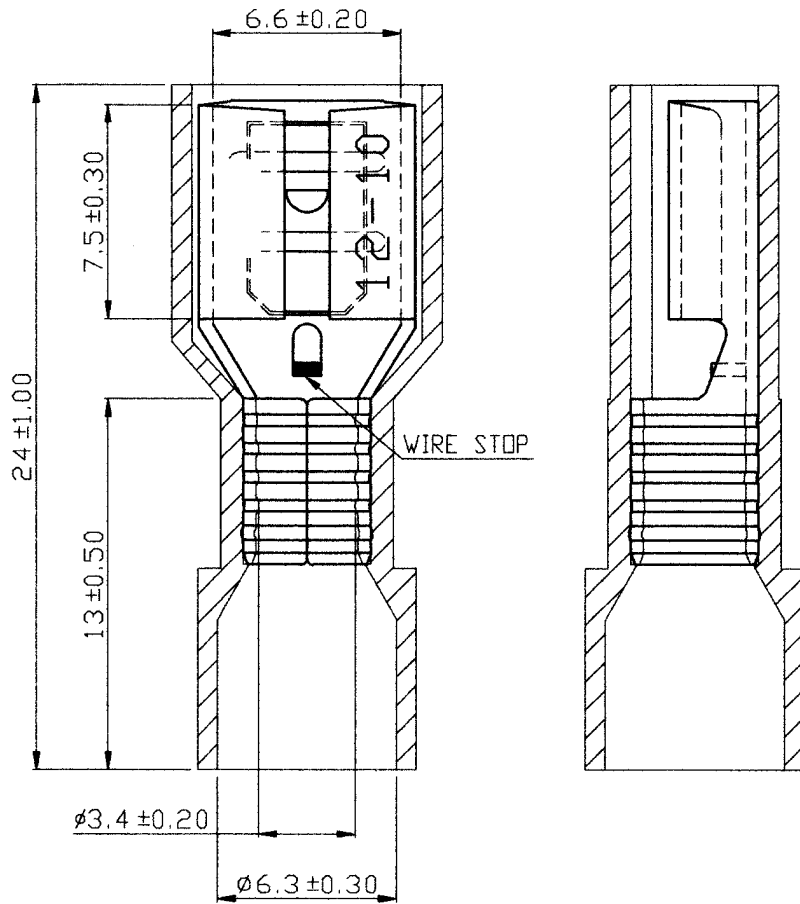
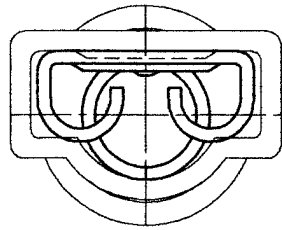
**Bag Qty** 100  
**Master Bag Qty** 1000

**Certifications**

**UL** Yes  
**cUL** Yes  
**RoHS** Yes

Morris Products 53 Carey Road, Queensbury, NY 12804

[www.morrisproducts.com](http://www.morrisproducts.com)



NOTE :

1. MAXIMUM ELECTRIC CURRENT : 

A.W.G.	12	10
AMP.	20	24
2. MAXIMUM ELECTRICAL RATING : 105°C 300 VOLTS MAX.
3. INSULATION MATERIAL : NYLON
4. INSULATION COLOR : YELLOW
5. TERMINAL MATERIAL : BRASS
6. WIRE RANGE : 12-10 A.W.G. ( 4-6 mm<sup>2</sup>)
7. NEMA TAB : 0.032 inch \* 0.250 inch (0.8 mm \* 6.35 mm )
8. TERMINAL SURFACE TREATMENT : TIN PLATED
9. TERMINAL THICKNESS : 0.40 mm

Tolerance Unless Otherwise Specified	
0 > 6 mm ± 0.20	ANGLE
6 > 18 mm ± 0.30	0° REF ±
18 > 30 mm ± 0.40	° ±
30 > 75 mm ± 0.50	° ±

NAME	NYLON-FULLY INSULATED FEMALE DISCONNECTORS			UNIT	
PART NO.	10414	MATERIAL	----	APPROVE	
NUMBER		SCALE	SHEET	PAGE	CHECKED
DATE	2006/04/11	4/1	1-0	10F2	DRAWN

Morris Products Inc.