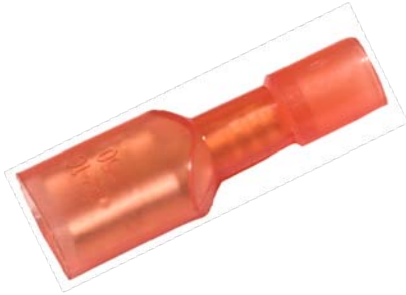




Catalog Number 10411
UPC Number 60198610411
Description Nylon Fully Insulated Female Disconnect
22-16 AWG



Features

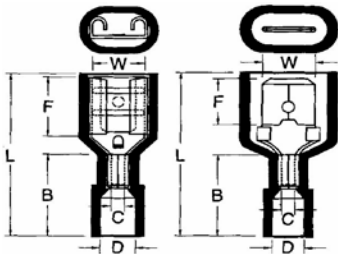
- Nylon Color Coded insulation for easy identification
- Manufactured from high strength copper alloy
- Electro-tin plated for corrosion resistance
- Expanded insulation eliminates strand “Hang Up”, provides strain relief & excellent UV, temperature and chemical resistance
- Wire range stamped on the surface for easy interpretation
- Brazed seams prevent splitting under maximum pressure
- Serrated barrel provides excellent electrical contact & pull-out force resistance

General

Insulation Type Nylon
Material Brass
Finish Electro-Tin Plated
Color Red
Wire Range 22-16
Tab Size .250 X .032

Dimension Information

Stock Thickness 0.016
L Inches (mm) 0.866
B Inches (mm) 0.433
C Inches (mm) 0.067
D Inches (mm) 0.157
F Inches (mm) 0.287
W Inches (mm) 0.26



Specifications

Temperature Rating 105°C
Voltage Rating 300 V
Flammability Rating UL94V-O
Amp Rating 22 AWG 3 Amps
20 AWG 4 Amps
18 AWG 7 Amps
16 AWG 10 Amps

Packaging

Bag Qty 100
Master Bag Qty 1000

Certifications

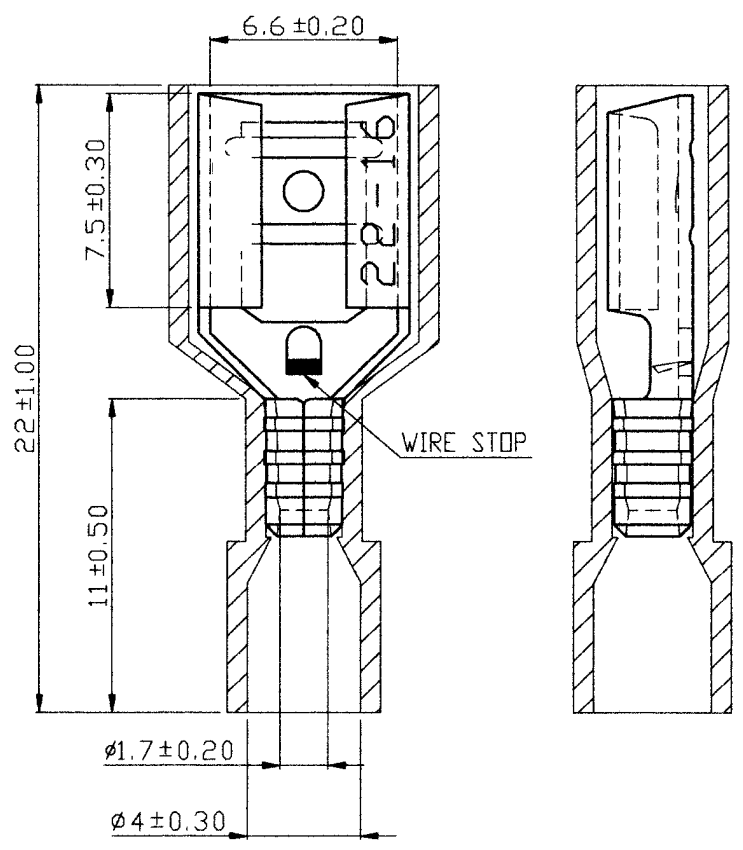
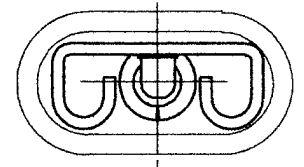
UL Yes
cUL Yes
RoHS Yes

Morris Products 53 Carey Road, Queensbury, NY 12804

www.morrisproducts.com



REV	DESCRIPTION	DATE
-----	-------------	------



- NOTE :
1. MAXIMUM ELECTRIC CURRENT :

A.W.G.	22	20	18	16
AMP.	3	4	7	10
 2. MAXIMUM ELECTRICAL RATING : 105°C 300 VOLTS MAX.
 3. INSULATION MATERIAL : NYLON
 4. INSULATION COLOR : RED
 5. TERMINAL MATERIAL : BRASS
 6. WIRE RANGE : 22-16 A.W.G. (0.5-1.5 mm²)
 3. NEMA TAB : 0.032 inch * 0.250 inch (0.8 mm * 6.35 mm)
 8. TERMINAL SURFACE TREATMENT : TIN PLATED
 9. TERMINAL THICKNESS : 0.40 mm

Tolerance Unless Otherwise Specified	
0 > 6 mm ± 0.20	ANGLE
6 > 18 mm ± 0.30	0° REF ±
18 > 30 mm ± 0.40	° ±
30 > 75 mm ± 0.50	±

NAME	NYLON-FULLY INSULATED FEMALE DISCONNECTORS			UNIT	
PART NO.	10411	MATERIAL	-----	APPROVE	
NUMBER		SCALE	SHEET	PAGE	CHECKED
DATE	2005/03/29	4/1	1-0	10F2	DRAWN

Morris Products Inc.