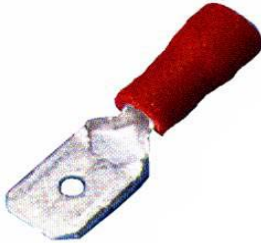




Catalog Number 10212
UPC Number 60198610212
Description Vinyl Insulated Male Disconnect Connectors
22-16 AWG



Features

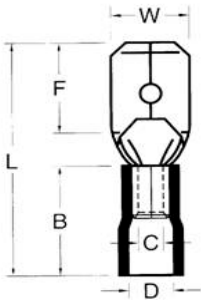
- Vinyl Color Coded insulation for easy identification
- Manufactured from high strength copper alloy
- Electro-tin plated for corrosion resistance
- Expanded insulation eliminates strand “Hang Up”, provides strain relief & excellent UV, temperature and chemical resistance
- Wire range stamped on the surface for easy interpretation
- Butted seams prevent splitting under maximum pressure
- Serrated barrel provides excellent electrical contact & pull-out force resistance

General

Insulation Type Vinyl
Material Brass
Finish Electro-Tin Plated
Color Red
Wire Range 22-16
Tab Size .020 X .187

Dimension Information

Stock Thickness 0.02
L Inches (mm) 0.748
B Inches (mm) 0.394
C Inches (mm) 0.067
D Inches (mm) 0.157
F Inches (mm) 0.256
W Inches (mm) 0.189



Specifications

Temperature Rating 167°F (75°C)
Voltage Rating 300 V
Flammability Rating UL94V-O
Amp Rating
22 AWG 9 Amps
20 AWG 12 Amps
18 AWG 17 Amps
16 AWG 18 Amps

Packaging

Bag Qty 100
Master Bag Qty 1000

Certifications

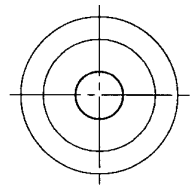
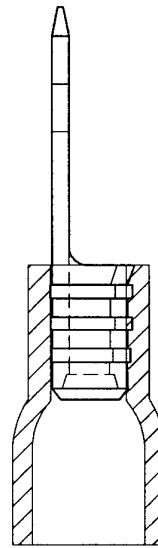
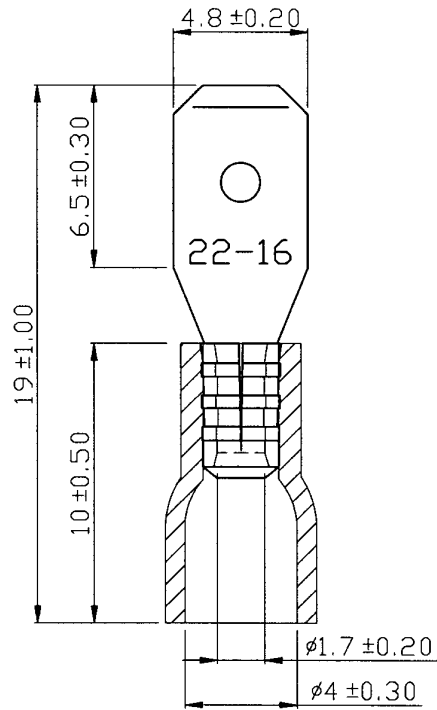
UL Yes
cUL Yes
RoHS Yes

Morris Products 53 Carey Road, Queensbury, NY 12804

www.morrisproducts.com



REV	DESCRIPTION	DATE
-----	-------------	------



NOTE :

1. MAXIMUM ELECTRIC CURRENT :

A.W.G.	22	20	18	16
AMP.	3	4	7	10
2. MAXIMUM ELECTRICAL RATING : 75°C 300 VOLTS MAX.
3. INSULATION MATERIAL : VINYL
4. INSULATION COLOR : RED
5. TERMINAL MATERIAL : BRASS
6. WIRE RANGE : 22-16 A.W.G. (0.5-1.5 mm²)
7. NEMA TAB : 0.020 inch * 0.187 inch (0.5 mm * 4.75 mm)
8. TERMINAL SURFACE TREATMENT : TIN PLATED
9. TERMINAL THICKNESS : 0.50 mm

Tolerance Unless	
Otherwise Specified	
0 > 6 mm ± 0.20	ANGLE
6 > 18 mm ± 0.30	0° REF ±
18 > 30 mm ± 0.40	±
30 > 75 mm ± 0.50	±

NAME	VINYL-INSULATED MALE DISCONNECTORS			UNIT	
PART NO.	10212	MATERIAL	-----	APPROVE	
NUMBER		SCALE	SHEET	PAGE	CHECKED
DATE	2006/06/13	4/1	1-0	1 OF 2	DRAWN

Morris Products Inc.