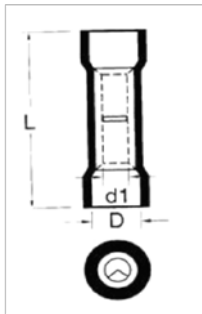




Catalog Number 10186
UPC Number 60198610186
Description Vinyl Insulated Butt Splice Connector
12-10 AWG



Features

- Color Coded insulation for easy identification
- Manufactured from high strength copper alloy
- Electro-tin plated for corrosion resistance
- Easy entry expanded insulation eliminates strand “Hang Up”, increases the crimping rates and the reliability of the termination
- Wire range stamped on the surface for easy interpretation
- Butted seams prevent splitting under maximum pressure
- Funneled barrel & flared insulation sleeve provides excellent contact & mechanical stress relief at insulation & barrel junction

General

Insulation Type Vinyl
Material Copper Plate
Finish Electro-Tin Plated
Color Yellow
Wire Range 12-10
Stud Size N/A

Dimension Information

L Inches (mm) 1.043
D Inches (mm) 0.248
D1 Inches (mm) 0.134

Specifications

Temperature Rating 75°C
Voltage Rating 600 V
Flammability Rating UL94V-O
Amp Rating 12 AWG 35 Amps
10 AWG 50 Amps

Packaging

Bag Qty 100
Master Bag Qty 1000

Certifications

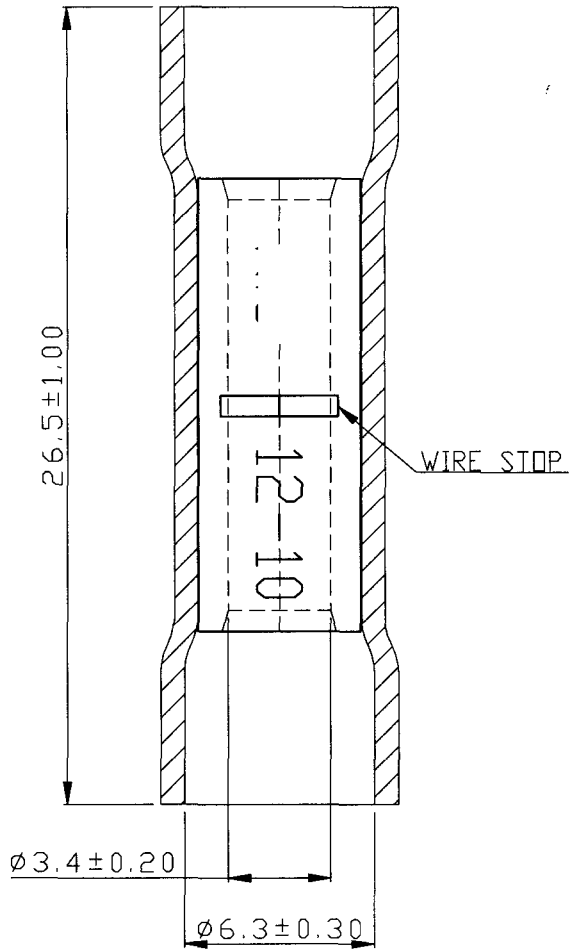
UL Yes
cUL Yes
RoHS Yes

Morris Products 53 Carey Road, Queensbury, NY 12804

www.morrisproducts.com



REV	DESCRIPTION	DATE
-----	-------------	------

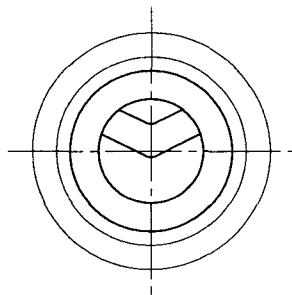


NOTE :

1. MAXIMUM ELECTRIC CURRENT :

A.W.G.	12	10	
AMP.	35	50	
2. MAXIMUM ELECTRICAL RATING : 75°C 600 VOLTS MAX.
3. INSULATION MATERIAL : VINYL
4. INSULATION COLOR : YELLOW
5. CONNECTOR MATERIAL : COPPER PLATE
6. WIRE RANGE : 12-10 A.W.G. (4 - 6 mm²)
7. CONNECTOR SURFACE TREATMENT : TIN PLATED

Tolerance Unless Otherwise Specified	
0 > 6 mm ± 0.20	ANGLE
6 > 18 mm ± 0.30	0° REF ±
18 > 30 mm ± 0.40	° ±
30 > 75 mm ± 0.50	° ±



NAME	VINYL-INSULATED BUTT SPLICE CONNECTORS				UNIT
PART NO.	10186	MATERIAL	-----	APPROVE	
NUMBER	KA-96800-C	SCALE	SHEET	PAGE	CHECKED
DATE	2007/09/26	4/1	1-0	10F2	DRAWN



Morris Products Inc.