

Emergency Lighting Units

- 4 Decorative & Economical Units with Modern Appearance & Low Maintenance
- Completely Self-Contained
- Fully Automatic Operation
- Compact, Low Profile Designs in Neutral Finish
- Push to Test Switch
- 6-Volt, Pure Lead, Maintenance Free Battery
- Environmental Coated, Solid State Charger
- 2 x 5.4 Watt Incandescent Lamps
- Automatic, Low Voltage Disconnect (LVD)
- Universal Transformer for 120 or 277 VAC
- Replacement bulb GE 939 or equal



- Universal Mounting Plate
- Injection Molded, V-O Flame Retardant, High Impact, Thermoplastic Housing
- Charge Rate/Power on LED Indicator Light
- 90 Minute Emergency Operation
- ETL Rated Damp Location
- Model #73122 has Remote Capability for up to 2 Additional Standard Remote Lighting Fixtures
2 heads - 4 hours operation
3 heads - 2 hours operation
4 heads - 1.5 hours operation



#73110 PRISM



#73120/73122 LOW PROFILE SIDE LIGHTS

Cat No.	Style	Color	Length	Depth	Height	Case Qty	Each
73110	Prism	White	12"	2.25"	5"	6	
73111	Prism	Black	12"	2.25"	5"	6	
73120	Low profile side lights	White	16"	5"	5"	6	
73121	Low profile side lights	Black	16"	5"	5"	6	

Remote Capable

Cat No.	Style	Color	Length	Depth	Height	Case Qty	Each
73122	Low Profile Side Lights	White	16"	5"	5"	6	

Remote Emergency Light Heads



- Used with remote capable emergency lights & remote capable combo exit/emergency light



73060



73062



73066



73067



73068



73069



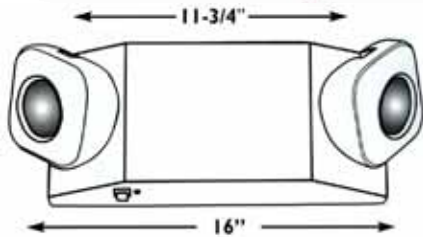
73064
Weatherproof



73065
Weatherproof

Cat No.	Weatherproof	Heads	Volts	Watts	Lamp	Each
73060	No	1	6	5.4	Incandescent	
73062	No	2	6	7.2	Incandescent	
73066	No	1	6	5.4	Incandescent	
73067	No	2	6	7.2	Incandescent	
73068	No	1	6	5.4	MR-16	
73069	No	2	6	7.2	MR-16	
73064	Yes	1	6	5.4	Incandescent	
73065	Yes	2	6	7.2	Incandescent	

MR-16 Emergency Lighting Units



Modern design with “EZ” install back plate and MR16 Halogen lamp for precise clean illumination

- Completely self-contained
- Fully automatic operation
- Compact, low profile design in neutral finish
- Universal mounting plate with “EZ” quick connect for rapid labor saving installation
- Push to test switch
- 6-volt, pure lead, maintenance-free battery
- Environmentally-coated, solid state charger
- Automatic, low voltage disconnect (LVD)
- Universal transformer for 120 or 277 VAC
- Injection-molded, V-O flame retardant, high impact, thermoplastic housing
- Charge rate/ power on LED indicator light
- Lamp wattage 2X5 watt
- Emergency operation 90 minutes

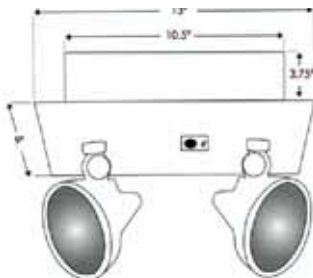
Cat No.	Color	Case Qty	Each
73152	White	6	
73154	Black	6	

Remote Capable-Damp Location Listed

* Based on 5 watt lamps

Cat No.	Color	Watts Per Unit	Maximum Heads for 4 hrs Operation	Maximum Heads for 2 hrs Operation	Maximum Heads for 1.5 hrs Operation	Case Qty	Each
73156	White	22	2	3	4	6	
73157	Black	22	2	3	4	6	

Recessed Twin Head Emergency Lighting Units



Recessed emergency lighting unit mounts flush with ceiling for a concealed, unobtrusive look

- Completely self-contained
- Compact, flush mount design
- Mounting bar hangers included
- 6-volt, pure lead, maintenance-free battery
- Environmentally-coated, solid state charger
- Automatic, low voltage disconnect (LVD)
- Universal transformer for 120 or 277 VAC
- Injection-molded, V-O flame retardant, high impact, thermoplastic housing
- Charge rate/ power on LED indicator light
- Large battery for remote capacity
- Push to test switch
- 90 minute emergency operation
- 6 Volt 7.2Watt #939 lamp
- Remote capable

Cat No.	Color	Case Qty	Each
73158	White	6	



LIGHTING

Emergency Lighting Unit With Remote Capacity

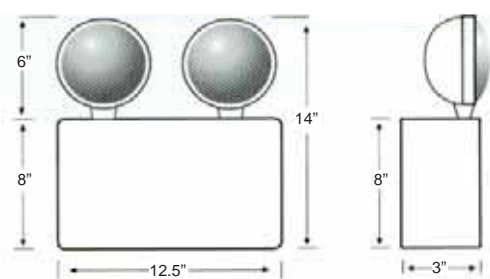


6 Volt and 12 Volt

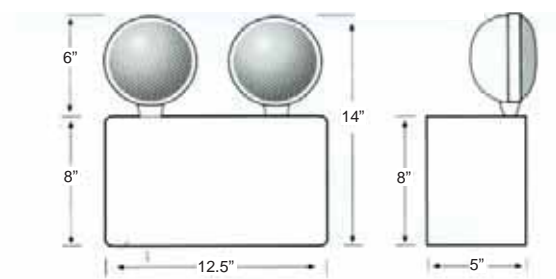
Heavy Duty emergency lighting unit has remote capability, and is efficient and easy to install. It is completely self-contained and fully-automatic.

- Compact, low profile design in neutral finish
- Push to test switch
- 6-Volt premium grade, pure lead, maintenance-free batteries with 10-year expected life
- Side and top conduit K/Os
- Automatic low voltage disconnect (LVD).
- Universal transformer for 120 or 277 VAC operation
- Standard with two fully adjustable, glare free lighting heads
- Charge rate/power on LED indicator light

50 Watt Units



100 Watt Units



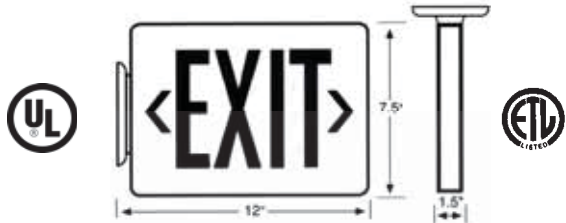
6-Volt Units with Remote Capacity 7.2 Watt Lamps

Cat No.	Watts Per Unit	Maximum Heads for 4 hrs Operation	Maximum Heads for 2 hrs Operation	Maximum Heads for 1.5 hrs Operation	Case Qty	Each
73166	50	2	4	5	2	
73170	100	4	9	12	2	

12-Volt Units with Remote Capacity 9 Watt Lamps

Cat No.	Watts Per Unit	Maximum Heads for 4 hrs Operation	Maximum Heads for 2 hrs Operation	Maximum Heads for 1.5 hrs Operation	Case Qty	Each
73176	50	2	3	5	2	
73180	100	4	7	10	2	

LED Exit Sign



- Superior Quality Exit Unit Combined with LED Energy Saving Technology In a Low-Profile, Unobtrusive Design
- Completely Self-Contained
- Fully Automatic Operation
- Compact, Low Profile Design in Neutral Finish
- Push to Test Switch in Battery Backup Units
- Automatic, Low Voltage Disconnect (LVD)
- 120 or 277 VAC Operation
- Injection-Molded, V-O Flame Retardant, High Impact, Thermoplastic Housing
- Charge Rate/Power On LED Indicator Light
- Energy Consumption of Less than 4 Watts for Red Letters and Less than 2 Watts for Green Letters
- Listed for Damp Location
- Universal Mounting Canopy & 2 Face Plates for Side or Top Installation
- Standard AC and Emergency Units Available
- Ni-CAD Battery On Battery Backup Units
- 90 Minute Battery Run Time
- 700MAH 4.8V Nicad Battery

Cat No.	LED Color	Housing	Battery Backup	Case Qty	Each
73010	Red	White	No	6	
73012	Red	White	Yes	6	
73013	Red	Black	Yes	6	
73014	Green	White	No	6	
73016	Green	White	Yes	6	
73017	Green	Black	Yes	6	

Remote Capable Units

Cat No.	LED Color	Housing	Battery Backup	Case Qty	Each
73022	Red	White	Yes	6	
73023	Red	Black	Yes	6	
73024	Green	White	Yes	6	
73025	Green	Black	Yes	6	

2 Circuit Unit

Cat No.	LED Color	Housing	Battery Backup	Case Qty	Each
73026	Red	White	Yes	6	
73028	Green	White	Yes	6	

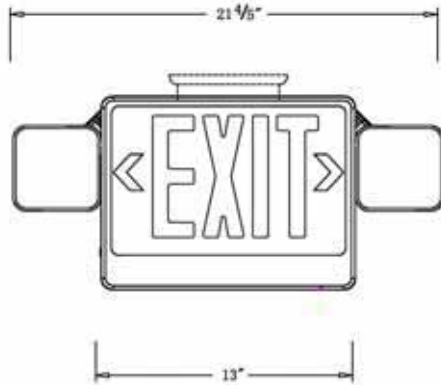
Salida Face Plates

Cat No.	Lettering	Led Color	Housing	Each
73005	SALIDA	Red	White	



LIGHTING

Combo LED Exit Emergency Light



- Combination Energy Saving LED Exit Sign and Emergency Lighting Unit In One Compact Design
- Completely Self-Contained
- Fully Automatic Operation
- Push to Test Switch
- Automatic, Low Voltage Disconnect (LVD)
- 120 or 277 VAC Operation
- Charge Rate/Power On LED Indicator Light
- 6-Volt 4.5AH Lead-Acid Maintenance-Free Battery Provides 90 minutes of Emergency Power
- Environmentally-Coated, Solid State Charger
- Injection-Molded, UL 94 V-O Flame Retardant, High Impact Thermoplastic Housing
- Standard with Two Fully Adjustable Glare-Free 5.4 Watt DC Long Life Lamp Heads
- Heads Rotate to Top or Side of Unit & 180° + for Maximum Flexibility in Field
- Universal J Box Mounting Canopy & 2 Face Plates for Side or Top Installation
- Models #73034 – 73037 have additional 12 Watt Remote Capability for up to 2 Additional Standard Remote Lighting Fixtures
- Base Unit (2 heads) - 4 hours operation
- 3 heads - 2 hours operation
- 4 heads - 1.5 hours operation
- Damp Location Rated
- UL 924



Cat No.	Led Color	Housing	Width	Depth	Height	Case Qty	Each
73030	Red	White	13.00"	2.50"	11.00"	4	
73031	Red	Black	13.00"	2.50"	11.00"	6	
73032	Green	White	13.00"	2.50"	11.00"	6	
73033	Green	Black	13.00"	2.50"	11.00"	6	

Remote Capable Units

Cat No.	LED Color	Housing	Width	Depth	Height	Case Qty	Each
73034	Red	White	13.00"	2.50"	11.00"	6	
73035	Red	Black	13.00"	2.50"	11.00"	6	
73036	Green	White	13.00"	2.50"	11.00"	6	
73037	Green	Black	13.00"	2.50"	11.00"	6	

Salida Face Plates

Cat No.	Lettering	Led Color	Housing	Each
73046	SALIDA	Red	White	

Surface Mount Edge Lit LED Exit Signs



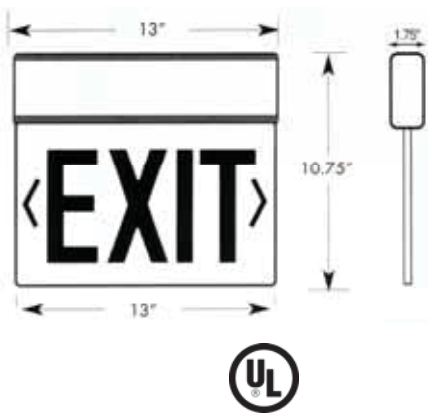
Wall Mount



Ceiling Mount



Side Mount



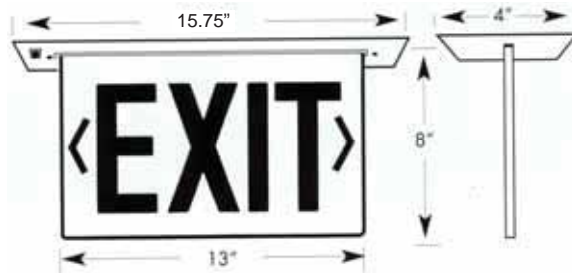
- Compact, low-profile design
 - Energy consumption of less than 3 watts for AC only and less than 5 watts for battery backup units
 - Emergency battery backup model is completely self-contained
 - Infield installable directional indicators
 - Tri-mount canopy provides top, end or back mount convenience (Surface only)
 - Premium Grade extruded aluminum housing
- Standard AC and energy units available
 - AC on indicator light and test switch
 - Sealed lead battery
 - 120/277 Volt operation
 - Solid State electronics and charger board
 - UV stabilized ultra clear acrylic panel
 - Premium high output ultra bright LED's
 - All units include single side face plate (must purchase double sided face plate separately if needed)

Cat No.	Surface	Panel Color	Housing	Carton Qty	Each
73310		Red on clear	Anodized Aluminum	6	
73311		Red on clear	White	6	
73312		Red on clear	Black	6	
73315		Green on clear	Anodized Aluminum	6	
73316		Green on clear	White	6	
73317		Green on clear	Black	6	

Double Sided Face Panel for Surface & Recessed Mount Units

Cat No.	Panel Color	Each
73320	Red on clear	
73322	Green on clear	

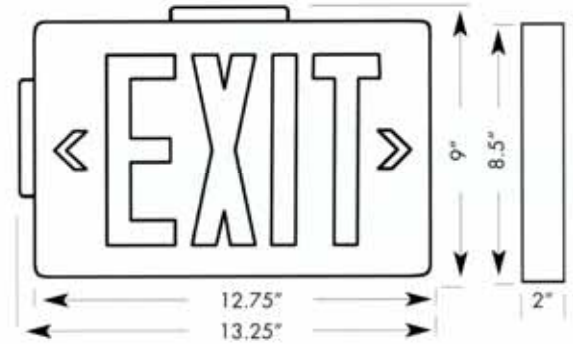
Recessed Mount Edge Lit LED Exit Signs



Good for Sheetrock & Recessed Ceilings

Cat No.	Recessed	Panel Color	Housing	Carton Qty	Each
73330		Red on clear	Anodized Aluminum	6	
73331		Red on clear	White	6	
73332		Red on clear	Black	6	
73335		Green on clear	Anodized Aluminum	6	
73336		Green on clear	White	6	
73337		Green on clear	Black	6	

Cast Aluminum LED Exit Sign



LED cast aluminum Series utilizes a unique illumination design in an architecturally pleasing housing

- Universal 120/277 VAC operation on all exits
- LED energy savings
- Damp location rated
- Universal canopy included (wall or ceiling mounted)
- Premium grade Ni-cad rechargeable battery
- Sleek Curved Design
- Powder Coat Finish
- Curved design
- Spec grade
- Universal K/O chevrons
- Quick clip snap closure for front face plate
- Grounded safety cable
- All units include two face plates and flat back panel to allow 1 or 2 sided display

Cat No.	Letter Color	Housing finish	Face color	Carton Qty	Each
73340	Red	Brushed Aluminum	Brushed Aluminum	6	
73343	Red	Black	Brushed Aluminum	6	
73344	Red	Black	Black	6	
73346	Red	White	Brushed Aluminum	6	
73348	Red	White	White	6	
73360	Green	Brushed Aluminum	Brushed Aluminum	6	
73363	Green	Black	Brushed Aluminum	6	
73364	Green	Black	Black	6	
73366	Green	White	Brushed Aluminum	6	
73368	Green	White	White	6	

Wet Location LED Exit Sign and Combo Unit



Combo Battery Backup Unit

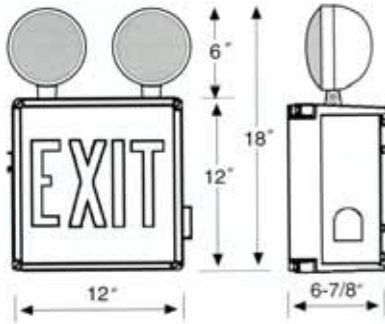


- Perfect for Outdoor Commercial & Industrial Facilities where exposure to Rain is normally al major Lighting Fixture problem
- ABS, corrosion resistant UV Stabilized enclosure
- AC only or self-powered models
- Universal 120/277 VAC operation
- Removable directional indicators
- Extremely low operating costs
- Meets NFPA life safety 101, NEC, OSHA, NEC, and local and state codes
- 90 minute emergency operation
- NEMA 3R Rated



Exit Battery Backup Unit

Enclosure is resistant to corrosive atmospheres, non-hazardous dust environments, water spray or splashing water



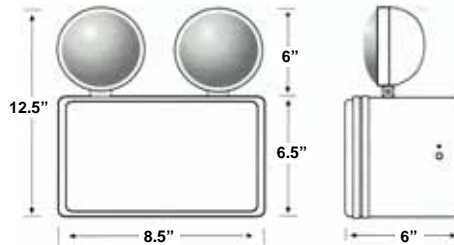
Exit Battery Backup Units

Cat No.	Letter Color	Each
73390	Red	
73391	Green	

Combo Battery Backup Units

Cat No.	Letter Color	Each
73393	Red	
73394	Green	

Emergency Lighting Unit Wet Location



- ABS, corrosion resistant UV stabilized enclosure
- Dual 120 or 277 VAC input, field selectable
- Automatic brownout feature
- Solid-state charging circuit
- Solid-state line-latched low voltage disconnect provides 100% load disconnect protection to guard against battery deep discharge
- Short circuit and overload protection on DC output circuit
- Sealed momentary test switch
- Sealed AC ready light
- Wet location listed
- 2 X 7.2W lamp wattage
- 6V battery voltage
- 2 Remote Capable Heads allowed on Model #73397

This enclosure is ideal for wet locations, resistant to corrosive atmospheres, non-hazardous dust environments, water spray or splashing water

Cat No.	Type	Emergency Operation	Each
73396	Standard	90 min.	
73397	Remote Capable	90 min. +	



LIGHTING

Hard Wire LED Exit Sign Retrofit Kits



- Converts Incandescent Exit Light Units to LED
- 120 or 277 VAC Applications
- 2.8 Watts Per Kit
- Kits Complete with Mounting Bracket & Double Face Tape
- 1 Set of 2 Bulbs

Cat No.	Description	Each Set
73080	Hard Wire Unit Red LED	
73081	Hard Wire Unit Green LED	

Screw In LED Exit Sign Retrofit Kits



- Converts Incandescent Exit Light Units to LED
- 120 VAC Applications, 2.8 Watts Per Kit
- Socket Adapter Supplied – for signs with Bayonet, Intermediate or Candelabra bases
- Each Unit is 5-1/8" Tall & 5/8" wide – add 1/8" with Adapters
- Priced Per Set of 2 Bulbs

100,000 Hours Life Expectancy

Cat No.	Description	Each Set
73082	Screw in Unit Red LED	
73084	Screw in Unit Green LED	

Polycarbonate Vandal/ Environmental Shield Guard



H13.5" X W15" X D6"
73090



73091-73093

Cat No.	For Use With	Size (Ht x W x D)	Each
73090	Exit Lights & Cast Aluminum Exit Lights	13.5" X 15" X 6"	
73091	Emergency Lights	8.4" x 18.7" x 6.5"	
73092	Exit Lights & Cast Aluminum Exit Lights	15" x 22" x 8"	
73093	Combo Exit/Emergency Lights	15" x 30.5" x 8"	

Wire Guard

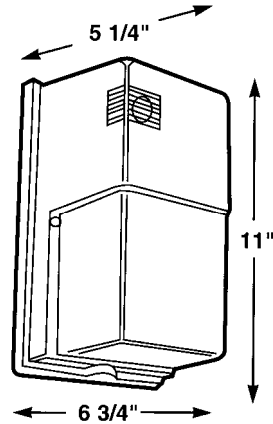


Cat No.	For Use With	Size (Ht x W x D)	Each
73095	Emergency Lights, Exit Lights & Cast Aluminum Exit Lights	13.5" X 15" X 6"	
73096	Combo Emergency/Exit Lights	13.5" X 30" X 6"	

Mini Wall Packs

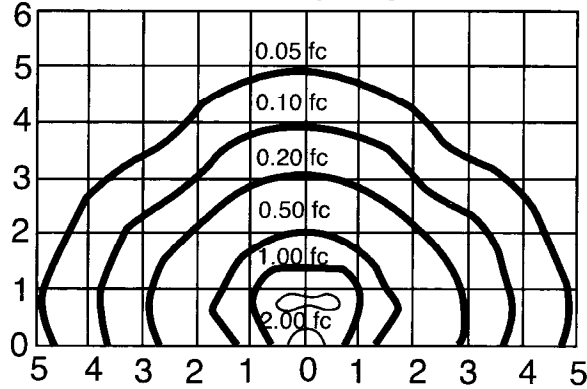


- UL Listed for Wet Locations
- Corrosion Resistant
- Polycarbonate Lens & Bronze Finish
- Lamp & Phototeye Included
- Aluminum Base Plate with Conduit Knockout



70W HPS @ 15' Mounting Height

Multiples of Mounting Height



MULTIPLIERS FOR DIFFERENT MOUNTING HEIGHTS			
Mounting Height	8'	10'	12'
Multiply by	3.5	2.25	1.6
MULTIPLIERS FOR DIFFERENT WATTAGES			
Wattage	70	50	26
HPS Multiply by	1.0	.63	
Fluorescent Multiply by			.36

Cat No.	Lamp	Volts	Watts	Lamp Base	Carton Qty	Each	
71010	HPS	120V	50	Medium	6		
71012	HPS	120V	70	Medium	6		
71016	1 PL X 13W	120V	13	PL	6		
71018	2 PL X 13W	120V	26	PL	6		
72010	Replacement Frame & Polycarbonate Lens Mounted						

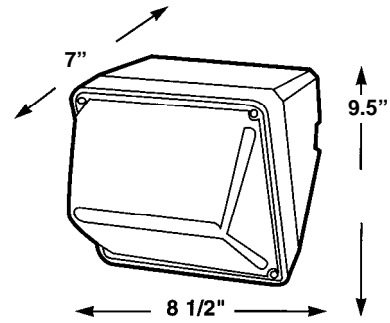


LIGHTING

Small Wall Packs

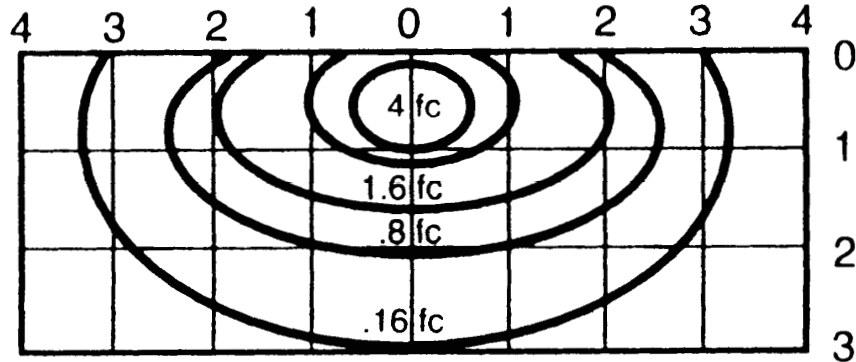


- UL listed for Wet Locations
- Corrosion Resistant
- Borosilicate Glass Prismatic Lens
- Bronze Finish
- 3 Threaded Apertures for Conduit & Photo Control
- Lamp included
- Die Cast Aluminum Housing



70W MH @ 10' Mounting Height

Multiples of Mounting Height



Isofootcandles

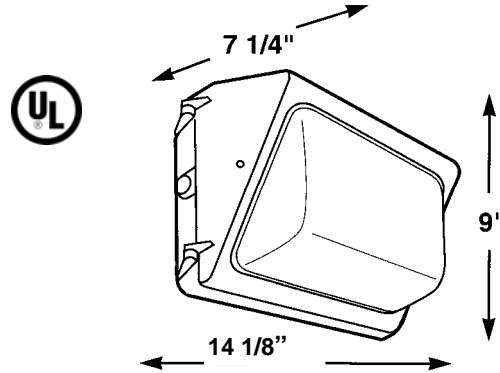
MULTIPLIERS FOR DIFFERENT MOUNTING HEIGHTS				
Mounting Height	8'	12'	16'	20'
Multiply by	1.6	.7	.4	.25
MULTIPLIERS FOR DIFFERENT WATTAGES				
Wattage	150	100	70	
HPS Multiply by	3.1	1.9		
Metal Halide Multiply by		1.56	1.0	

Cat No.	Lamp	Volts	Watts	Lamp Base	Carton Qty	Each	
71020	HPS	120V	100	Medium	6		
71025	HPS	120/208/240/277	150	Medium	6		
71026	MH	120/208/240/277	70	Medium	6		
71027	MH	120/208/240/277	100	Medium	6		
72021	Replacement Door Frame with Glass Mounted						
72022	Wireguard for Small Wallpack						

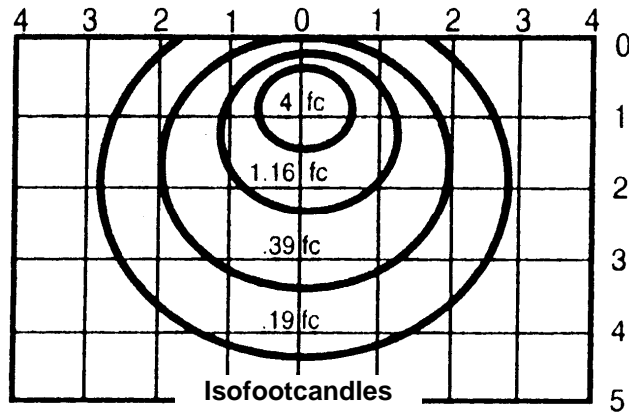
Medium Wall Packs



- UL Listed for Wet Locations
- Corrosion Resistant
- Bronze Finish
- Die Cast Aluminum Housing
- High Impact, Heat Resistant Borosilicate Glass
- Lamp Included
- 2 Threaded Apertures - Back for conduit & Top for Photocontrol



175W MH @ 15' Mounting Height
Multiples of Mounting Height



MULTIPLIERS FOR DIFFERENT MOUNTING HEIGHTS			
Mounting Height	10'	12'	15'
Multiply by	2.25	1.56	1.0
MULTIPLIERS FOR DIFFERENT WATTAGES			
Wattage	175	150	100
HPS Multiply by		1.19	
Metal Halide Multiply by	1.0		.58

Cat No.	Lamp	Volts	Watts	Lamp Base	Each
71030	HPS	120V	150	Medium	
71032	HPS	120/208/240/277	150	Medium	
71034	MH	120/208/240/277	100	Medium	
71036	MH	120/208/240/277	175	Medium	
72030	Replacement Door Frame with Glass Mounted				
72032	Wireguard for Medium Wallpack				

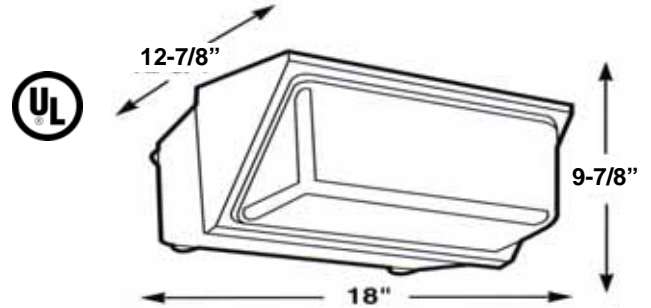


LIGHTING

Large Wall Packs

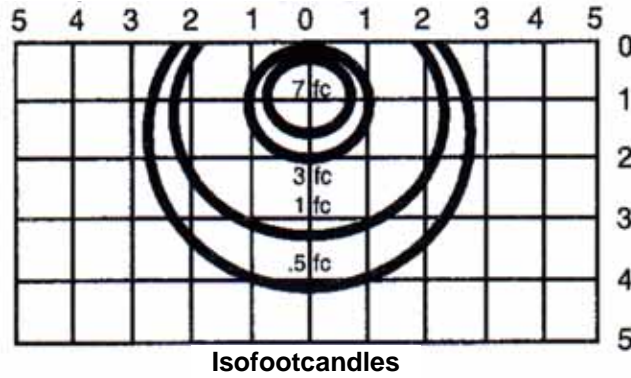


- UL Listed for Wet Locations
- Corrosion Resistant
- Bronze Finish
- Die Cast Aluminum Housing
- High Impact, Heat Resistant Borosilicate Glass
- Lamp Included
- 2 Threaded Apertures—(2) Back & (2) Top



400W HPS @ 20' Mounting Height

Multiples of Mounting Height



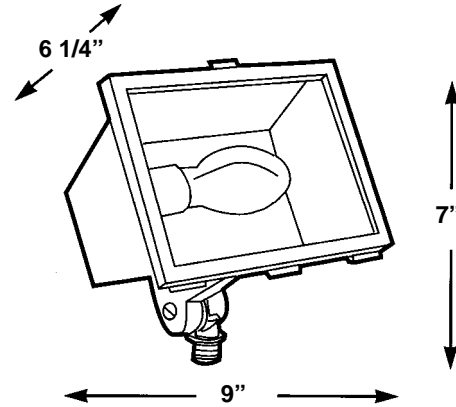
MULTIPLIERS FOR DIFFERENT MOUNTING HEIGHTS						
Mounting Height	16'	20'	24'	28'	32'	36'
Multiply by	1.8	1.0	.7	.5	.4	.3
MULTIPLIERS FOR DIFFERENT WATTAGES						
Wattage	400	250				
HPS Multiply by	1.0	.6				
Metal Halide Multiply by	.8	.5				

Cat No.	Lamp	Volts	Watts	Lamp Base	Each
71040	HPS	120/208/240/277	250	Mogul	
71042	MH	120/208/240/277	250	Mogul	
71050	HPS	120/208/240/277	400	Mogul	
71052	MH	120/208/240/277	400	Mogul	
72040	Replacement Door Frame with Glass Mounted				
72042	Wireguard for Large Wallpack				

Small Floodlight

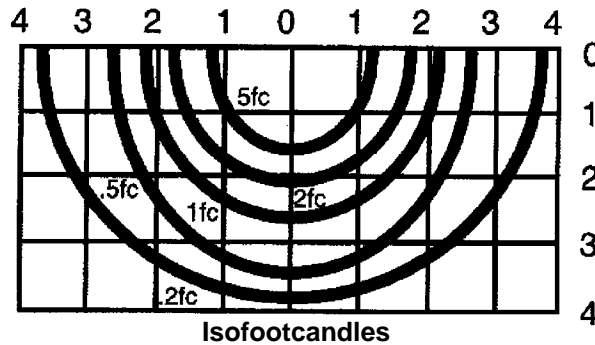


- UL Listed for Wet Locations
- Corrosion Resistant
- Bronze Finish
- Die Cast Aluminum Housing
- Hinged, Tempered Glass Lens
- Adjustable Knuckle
- Lamp Included



150W HPS @ 10' Mounting Height

Multiples of Mounting Height



MULTIPLIERS FOR DIFFERENT MOUNTING HEIGHTS				
Mounting Height	8'	12'	16'	20'
Multiply by	1.5	.7	.4	.25
MULTIPLIERS FOR DIFFERENT WATTAGES				
Wattage	150	100	70	50
HPS Multiply by	1.0	.6	.35	.25

Cat No.	Lamp	Volts	Watts	Lamp Base	Case Qty	Each	
71060	HPS	120	50	Medium	6		
71062	HPS	120	70	Medium	6		
71064	HPS	120	100	Medium	6		
71066	HPS	120	150	Medium	6		
72050	Replacement Door Frame with Glass Mounted						
72052	Wireguard for Small Floodlight						

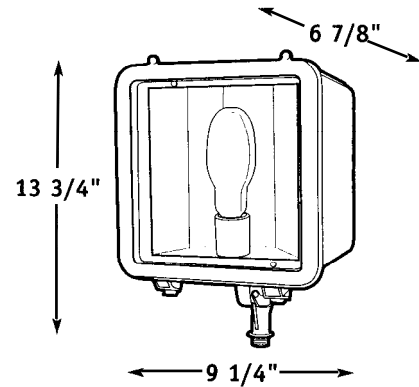


LIGHTING

Medium Floodlight

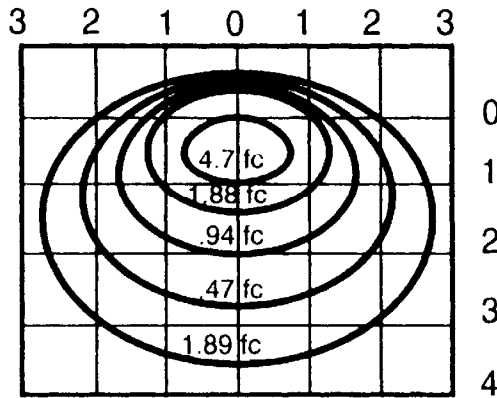


- UL Listed for Wet Locations
- Corrosion Resistant
- Bronze Finish
- Die Cast Aluminum Housing
- Hinged, Tempered Glass Lens
- Adjustable Knuckle
- Lamp Included



175W MH @ 15' Mounting Height

Multiples of Mounting Height



Isofootcandles

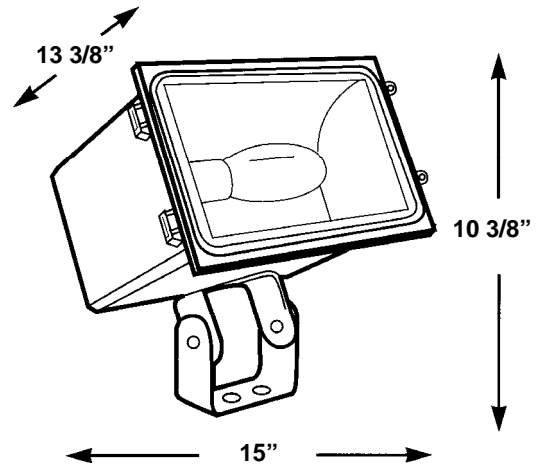
MULTIPLIERS FOR DIFFERENT MOUNTING HEIGHTS			
Mounting Height	12'	15'	18'
Multiply by	1.56	1.0	.70
MULTIPLIERS FOR DIFFERENT WATTAGES			
Wattage	175	100	70
Metal Halide Multiply by	1.0	.58	.37

Cat No.	Lamp	Volts	Watts	Lamp Base	Case Qty	Each
71067	MH	120/208/240/277	70	Medium	6	
71068	MH	120/208/240/277	100	Medium	6	
71069	MH	120/208/240/277	175	Medium	6	
72055	Replacement Door Frame with Glass Mounted					
72057	Wireguard for Medium Floodlight					

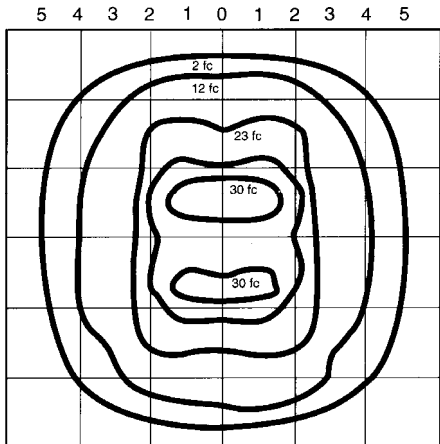
Large Floodlight



- UL Listed for Wet Locations
- Corrosion Resistant
- Bronze Finish
- Die Cast Aluminum Housing
- Hinged, Tempered Glass Lens
- Trunion Mount Included
- Lamp Included
- Pole Tenon Mount Available
- Lamp Included



400 HPS @ 15ft. Mounting Height
Multiples of Mounting Height



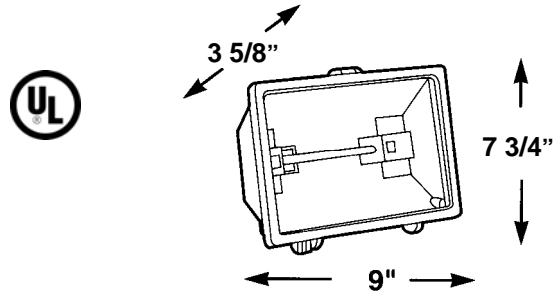
MULTIPLIERS FOR DIFFERENT MOUNTING HEIGHTS			
Mounting Height	20	25	30
Multiply by	.57	.36	.25
MULTIPLIERS FOR DIFFERENT WATTAGES			
Wattage	400	250	175
HPS Multiply by	1.0	0.6	
Metal Halide Multiply by	0.8	0.5	0.3

Cat No.	Lamp	Volts	Watts	Lamp Base	Each
71070	HPS	120/208/240/277	250	Mogul	
71072	MH	120/208/240/277	250	Mogul	
71074	HPS	120/208/240/277	400	Mogul	
71076	MH	120/208/240/277	400	Mogul	
72060	Replacement Door Frame with Glass Mounted				
72062	Wireguard for Large Floodlight				
72065	Pole Tenon Mount for Round Poles (2-3/8" Maximum Pole Diameter)				
72066	Pole Top Trunion				

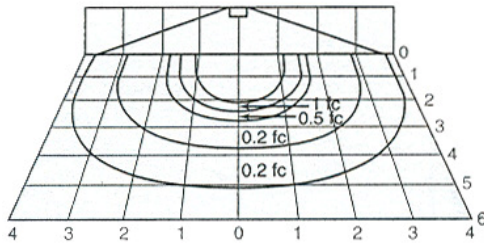
300 & 500 Watt Quartz Floodlight



- UL Listed for Wet Locations
- Precision Die Cast Aluminum Housing
- Polished Aluminum Reflector
- Bronze Finish
- Includes Premium 500 Watt, T-3 Double Ended 120/130 Volt Halogen Lamp
- Hinged, Tempered Glass Lens
- 1/2" Threaded Swivel Knuckle for Flexible Aiming



500W Quartz @ 15' Mounting Height and Aimed 30° below horizontal
Multiples of Mounting Height



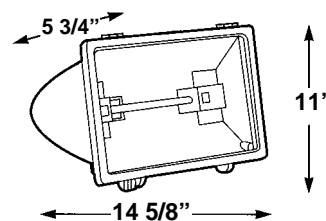
Isofootcandles			
Mounting Height	Multiply By	Different Wattages	Multiply By
12'	1.6	300	0.6
20'	0.6	500	1.0
24'	0.4	1500	3.1
15'	1.0		

Cat No.	Description	Style	Case Qty	Each
71079	300 Watt Quartz Floodlight - Bronze	Screw	12	
71080	500 Watt Quartz Floodlight - Bronze	Screw	12	
71081	500 Watt Quartz Floodlight - White	Screw	12	

1500 Watt Quartz Floodlight



- UL Listed for Wet Locations
- Precision Die Cast Aluminum Housing
- Polished Aluminum Reflector
- Bronze Finish
- Hinged, Tempered Glass Lens
- 1/2" Threaded Swivel Knuckle For Flexible Aiming
- Includes 1500 Watt, T-3 Double Ended 240 Volt Halogen Lamp



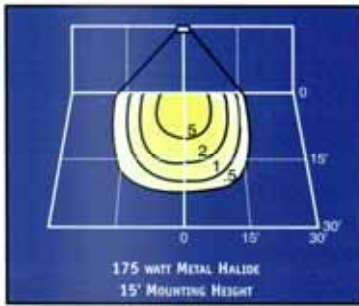
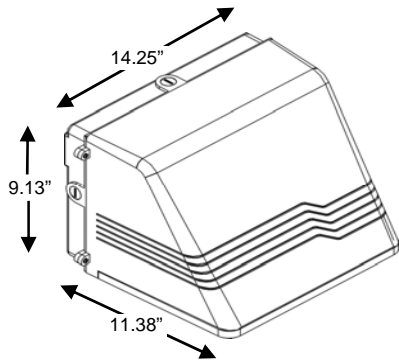
Cat No.	Description	Case Qty	EACH
71090	1500 Watt Quartz Floodlight	4	

Dark Sky Wall Packs

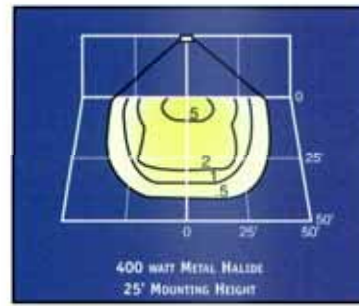
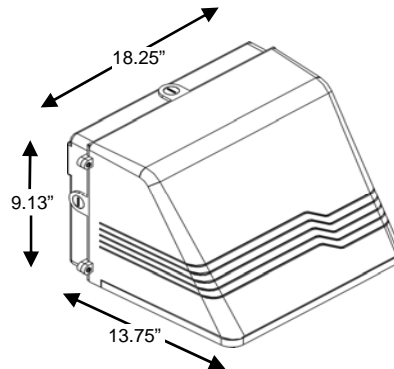


- Meets Local Dark Sky Requirements which are in effect in various areas
- Light does allow light to shine up to the sky
- Excellent for use as an Uplight
- UL Listed for Wet Locations
- Corrosion Resistant
- Bronze Finish
- Die Cast Aluminum Hinged Front & Rear Housing
- Tempered Clear Glass Lens
- 3 Threaded Apertures for Conduit & Photo Control
- Lamp Included

Medium Specifications



Large Specifications



MULTIPLIERS FOR DIFFERENT MOUNTING HEIGHTS			
Mounting Height	10'	12'	15'
Multiply by	2.25	1.56	1.0
MULTIPLIERS FOR DIFFERENT WATTAGES			
Wattage	175	150	
HPS Multiply by		1.19	
Metal Halide Multiply by	1.0		

MULTIPLIERS FOR DIFFERENT MOUNTING HEIGHTS			
Mounting Height	20'	25'	32'
Multiply by	1.43	1.0	.57
MULTIPLIERS FOR DIFFERENT WATTAGES			
Wattage	250	400	
HPS Multiply by	.833		
Metal Halide Multiply by	.625	1.0	

Cat No.	Size	Lamp	Dimensions WxHxD	Volts	Watts	Lamp Base	Case Qty	Each
71110	Medium	HPS	14.25" X 9.13" X 11.38"	120	150	Medium	1	
71112	Medium	MH	14.25" X 9.13" X 11.38"	120/208/240/277	175	Medium	1	
71114	Large	HPS	18.25" X 9.13 X 13.75"	120/208/240/277	250	Mogal	1	
71116	Large	MH	18.25" X 9.13 X 13.75"	120/208/240/277	250	Mogal	1	
71118	Large	MH	18.25" X 9.13 X 13.75"	120/208/240/277	400	Mogal	1	
72096	Replacement Door Frame with Glass Mounted for Medium Cutoff Wall Pack							
72098	Replacement Door Frame with Glass Mounted for Large Cutoff Wall Pack							



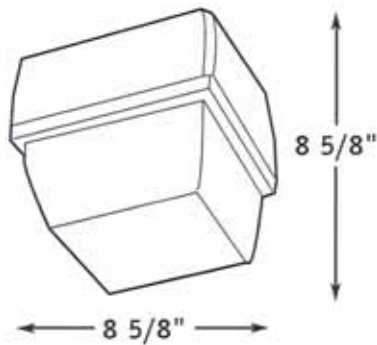
LIGHTING

Vandal Resistant Fixtures

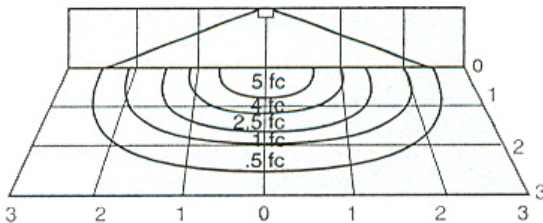


- UL Listed for Wet Locations
- Corrosion Resistant
- Bronze Finish
- Die Cast Aluminum Housing
- Clear Injection Molded Polycarbonate Lens
- Lamp Included

Medium Specifications

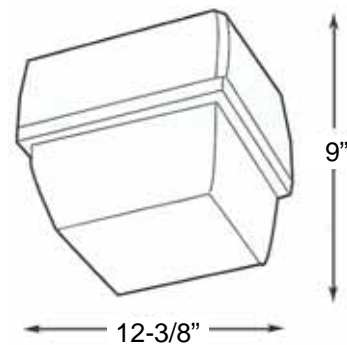


70W HPS @ 8' Mounting Height
Multiples of Mounting Height

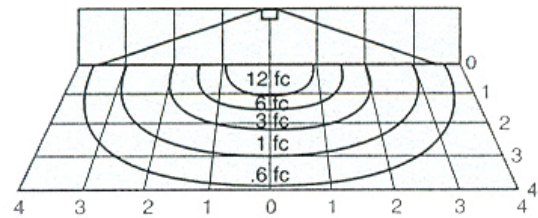


MULTIPLIERS FOR DIFFERENT MOUNTING			
Mounting Height	8'	9'	10'
Multiply by	1.0	.8	.6
MULTIPLIERS FOR DIFFERENT WATTAGES			
Wattage	70		
HPS Multiply by	1.0		
Metal Halide Multiply by	.9		

Large Specifications



150W HPS @ 8' Mounting Height
Multiples of Mounting Height



MULTIPLIERS FOR DIFFERENT MOUNTING HEIGHTS					
Mounting Height	8'	9'	10'	12'	14'
Multiply by	1.0	.8	.6	.4	.3
MULTIPLIERS FOR DIFFERENT WATTAGES					
Wattage	175	150			
HPS Multiply by		1.0			
Metal Halide Multiply by	.9				

Cat No.	Size	Lamp	Volts	Watts	Lamp Base	Case Qty	Each	
71093	Medium	HPS	120	70	Medium	8		
71094	Medium	MH	120/208/240/277	70	Medium	8		
71095	Large	HPS	120	150	Medium	1		
71096	Large	MH	120/208/240/277	175	Medium	1		
72090	Replacement Lens for Medium Vandal Resistant							
72092	Replacement Lens for Large Vandal Resistant							

Motion Activated Twin Par Light



- Turns Lights on Automatically When Motion is Detected
- Ideal for Walkways, Entrances and Patios
- Durable High Impact
- Nonmetallic Construction in White or Bronze
- Weather Resistant Housing
- Provides Years of Trouble-Free Service
- For Use with Two 150 Watt (Max) Outdoor Lamps (Lamps Not Included)
- 180 Degree Detection Angle and Up to 53 Feet
- Can be Wall or Eave Mounted
- Auto/Off/Manual Override Switch
- Time/Lux Adjustable Switch Reduces False Alarms
- AC 120V/60 Hz Voltage

Cat No.	Color	Case Qty	Each
73210	Bronze	12	
73211	White	12	

Motion Activated Halogen Light



- Turns Lights on Automatically When Motion is Detected
- Ideal for Walkways, Entrances and Patios
- Durable High Impact
- Construction in White or Bronze
- Weather Resistance Housing
- Provides Years of Trouble-Free Service
- For use with one 150 watt (max) halogen lamp (lamp included)
- 110 Degree Detection Angle and Up to 40 Feet
- Can be Wall or Eave Mounted
- Auto/Off/Manual Override Switch
- Time/Lux Adjustable Switch Reduces False Alarms
- AC 120V/60 Hz Voltage

Cat No.	Color	Case Qty	Each
73220	Bronze	20	
73221	White	20	

Bullets



- UL Listed for wet locations
- UL Listed for ground mounting
- Pre-wired and pre-assembled
- Die cast aluminum housing
- 1/2" adjustable knuckle
- Molded weatherproof gasket
- Drain hole
- Accepts 150 Watt Par38 max.

Cat No.	Color	Box Qty	Each
73230	Black	16	
73231	White	16	
73232	Bronze	16	

Porcelain Receptacles



82110

82114



82112

- 600 Watt Lampholder
- Top Wire Design
- Twist Lock Mounting
- Medium Base
- Fit 3-1/4" or 4" Box
- 4-1/2" Outside Diameter



Cat No.	Description	Type	Case Qty	Each
82110	Keyless	Screw Terms	48	
82111	Keyless	6" Lead	48	
82112	Pull Chain	Screw Terms	48	
82113	Pull Chain	6" Lead	48	
82114	Pull Chain w/Outlet	Screw Terms	48	

Fiberglass Receptacles



- 600 Watt Lampholder
- Top Wire Design
- Twist Lock Mounting
- Medium Base
- Fit 3-1/4" or 4" Box
- 4-1/2" Outside Diameter
- Accepts Cages



Cat No.	Description	Type	Case Qty	Each
82115	Keyless	Screw Terms	48	
82116	Keyless	6" Lead	48	
82117	Pull Chain	Screw Terms	48	
82118	Pull Chain	6" Lead	48	

Fluorescent Emergency Lighting Ballasts



*All Ballasts have dual 120/277 volt input

Fluorescent emergency ballast allows the same fixture to be used for both normal and emergency operation.

In the event of a power failure, the ballast switches to the emergency mode and operates one or two of the existing lamps for a minimum of 90 minutes.

The unit contains a battery, charger, and inverter circuit in a single package. The ballast can be mounted in the wireway or on top of the fixture, and is UL listed for factory installation or retrofit applications.

Model	72900	72904
Lumens	500	1400
Linear Lamps	Number of Lamps Supported	
2'-4' Rapid, Instant, or Energy Savings, T8-T12	1	1
2'-8' Rapid, Instant, or Energy Savings, T8-T12, HO, VHO		2
2'-8' Rapid, Instant, or Energy Savings, T8-T12, HO, VHO		1
20W-40W Circline	1	1
20W-40W Circline		2
Compact Lamps		
13, 18, 26 (4-pin)	1	1
13W-42W Twin Quad or Triple (4-	1	1
40W Biax		1
50W Biax		1
55W Biax		1

Cat No.	Length	Width	Height	Each
72900	9.4"	2.4"	1.5"	
72904	13.3"	2.4"	1.5"	

Photocontrols



FIXED BASE



These controls feature a heavy-duty thermal bi-metal switch that provides a 30-45 second time delay. This virtually eliminates unwanted lamp cycling that could be caused by lightning, car headlights, etc. Although the turn-on level is pre-set at the factory, each control is furnished with an adjustable slide bar that allows field adjustment. Typically mounts on fixtures or boxes.

- Weatherproof Polycarbonate Housing
- Single Pole, Single Throw Switch
- Temperature Range: -40F – +150F
- Contact Position at Night is Normally Closed
- Power Consumption Below 1.5 Watts Average
- Standard 1/2" I.P.S. Pipe Threaded Nipple
- 6" Color Coded Leads with Wiring Diagram on Control

Cat No.	Voltage	Tungsten Rating	Ballast Rating	Master Box Qty	Each
39010	120	2000W	1000 (VA)	12	
39012	208-277	2000W	1000 (VA)	12	



SWIVEL BASE



Does All Functions That Model #39010 Fixed Base Photocontrol Accomplishes

- Equipped with a Field Adjustable Swivel Base to Provide Maximum Installation Flexibility

Cat No.	Voltage	Tungsten Rating	Ballast Rating	Master Box Qty	Each
39020	120	2000W	1000 (VA)	12	
39022	208-277	2000W	1000 (VA)	12	



FLUSH MOUNT



The 6" wire leads exit from the rear of the housing, allowing the control to be placed in tight locations while positioning the wire for easy access. Features a heavy-duty thermal bi-metal switch that provides a 30-45 second time delay. This virtually eliminates unwanted lamp cycling that could be caused by lightning, etc. Typically mounts in wall packs.

- Weatherproof Polycarbonate Housing
- Single Pole, Single Throw Switch
- Temperature Range: -40F – +150F
- Contact Position at Night is Normally Closed
- Power Consumption Below 1.5 Watts Average
- 3/4" Long 3/8" Threaded Nipple & Nut for 1/2" K.O.
- 6" Color Coded Leads with Wiring Diagram on Control

Cat No.	Voltage	Tungsten Rating	Ballast Rating	Master Box Qty	Each
39030	120	1000W	1000 (VA)	12	



FLUSH MOUNT WITH WALL PLATE



Does All Functions That Model #39030 Flush Mount Photocontrol Accomplishes. Typically mounts on a weatherproof box.

- Includes a Brushed Aluminum Wall Plate and Gasket for Installation in Standard Outlet boxes

Cat No.	Voltage	Tungsten Rating	Ballast Rating	Master Box Qty	Each
39040	120	1000W	1000 (VA)	12	



LOCKING TYPE



Locking-type photocontrol offers an economical and cost-effective means of controlling residential lighting systems from dusk to dawn. #39050 heavy-duty thermal bi-metal switch provides a 30-45 second time delay to eliminate unwanted lamp cycling that could be caused by lightning, car headlights, etc. Typically mounts in dusk to dawn fixtures.

- Polycarbonate Cover – High Temp Polyester Base
- Single Pole, Single Throw Switch
- Temperature Range: -40F – +150F
- Contact Position at Night is Normally Closed
- Power Consumption Below .9 Watts Average
- Three Pole Lock-Type Connector with Solid Brass Legs

Cat No.	Voltage	Tungsten Rating	Ballast Rating	Master Box Qty	Each
39050	120	1000W	1800 (VA)	12	
39052	105-305	1000W	1800 (VA)	12	
39056		Shorting Cap		12	



PENCIL TYPE SWIVEL MOUNT



Thin cylindrical shape fits neatly between twin floodlights or other tight applications. Field adjustable swivel base makes it easy to direct the photocell away from stray light. "O" ring sealed to prevent water from entering through the knuckle. Heavy-duty thermal bi-metal switch provides a 30-45 second time delay to eliminate unwanted lamp cycling that could be caused by lightning, car headlights, etc. Typically mounts on fixtures or boxes.

- Weatherproof Polycarbonate Housing
- Single Pole, Single Throw Switch
- Temperature Range: -40F – +150F
- Contact Position at Night is Normally Closed
- Power Consumption Below .9 Watts Average
- Standard 1/2" I.P.S. Pipe Thread Nipple
- 6" Color Coded Leads with Wiring Diagram on Control


Cat No.	Voltage	Tungsten Rating	Ballast Rating	Master Box Qty	Each
39060	120	1200W	1000 (VA)	12	

Compact Fluorescent Energy Saving Lamps (CFL's)

Energy Savings Comparisons	
Incandescent Bulb	Morris Spiral
75 W	15 W
100 W	20 W
125 W	25 W




- Replaces incandescent lamps by providing similar lumens but using less watts and therefore saving energy and reducing energy bills
- CFL lamps have an average 8X longer life than incandescent lamps
- 120-130 volt, E26 Medium base (except candle)
- 2700K warm white color temperature
- Packaged in individual color boxes




Spiral

Cat No.	Watts	Lumens	Diameter x Length	Case Qty	Each
79112	15	800	2.4" X 5.1"	40	
79115	20	1300	2.4" X 5.5"	40	
79118	25	1500	2.4" X 5.9"	40	




2U

Cat No.	Watts	Lumens	Diameter x Length	Case Qty	Each
79132	11	550	1.8" X 6.3"	40	
79134	15	800	1.8" X 7.2"	40	




Mini Spiral

Cat No.	Watts	Lumens	Diameter x Length	Case Qty	Each
79122	11	550	1.7" X 5.4"	40	
79124	15	800	1.7" X 5.4"	40	




3U

Cat No.	Watts	Lumens	Diameter x Length	Case Qty	Each
79142	15	800	2.4" X 6.1"	40	
79144	20	1050	2.4" X 6.5"	40	
79146	25	1325	2.4" X 7.0"	40	




Reflector

Cat No.	Watts	Type	Diameter x Length	Case Qty	Each
79162	9	R20	2.5" x 4.7"	40	
79164	13	R25	3.1" x 5.3"	40	
79166	15	R30	3.7" x 5.9"	40	
79168	20	R40	4.7" x 6.5"	20	




A23

Cat No.	Watts	Lumens	Diameter x Length	Case Qty	Each
79172	15	750	2.7" X 6.6"	40	
79174	20	1000	2.7" X 6.6"	40	



G30 Globe

Cat No.	Watts	Lumens	Diameter x Length	Case Qty	Each
79182	15	800	3.7" x 5.8"	40	
79184	20	1300	3.7" x 5.8"	40	



Candle

Candelabra E12 Base

Cat No.	Watts	Lumens	Diameter x Length	Case Qty	Each
79192	7	350	1.6" x 4.8"	40	