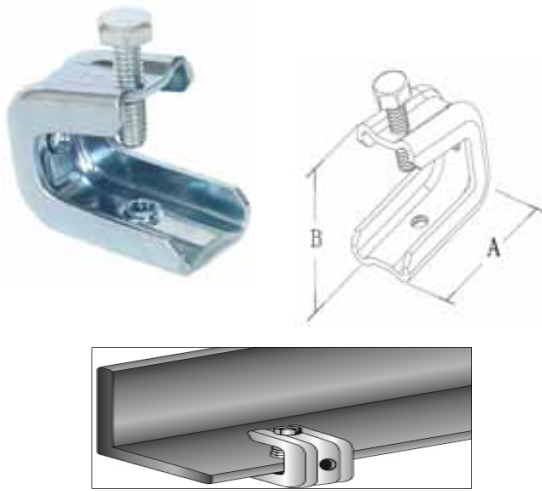


Beam Clamps Universal



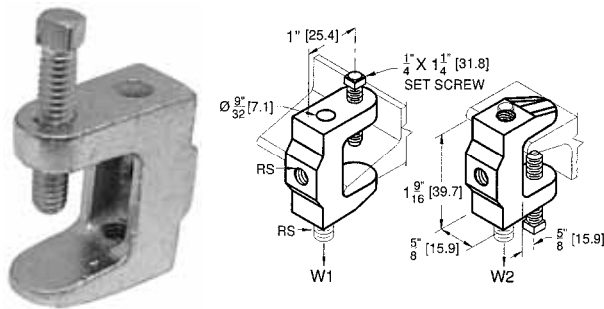
- ▶ Used with Conduit Hangers, Bridle Rings and Threaded Rod
- ▶ Tapped for Rods - bottom and back
- ▶ Case Hardened Steel Set Screw tapped at an angle locks on beam
- ▶ Zinc Plated Steel

Dimensions = Inches

| Cat. No. | Fits Flange | Bottom & Back Threads | Static Load Limit Bottom Hole Only | Screw Dimensions | A | B | Inner Box | Master Box |
|----------|-------------|-----------------------|------------------------------------|------------------|------|------|-----------|------------|
| 17468 | 1/2 | 1/4-20 | 75 lbs | 1/4-20 x 1" | 1.69 | 1.66 | 25 | 250 |
| 18111* | 1/2 | 10-24 | 75 lbs | 1/4-20 x 1" | 1.65 | 1.40 | - | 50 |
| 17469 | 3/4 | 3/8-16 | 200 lbs | 5/16-18 x 1-3/8" | 2.15 | 2.01 | - | 50 |

* not UL Listed

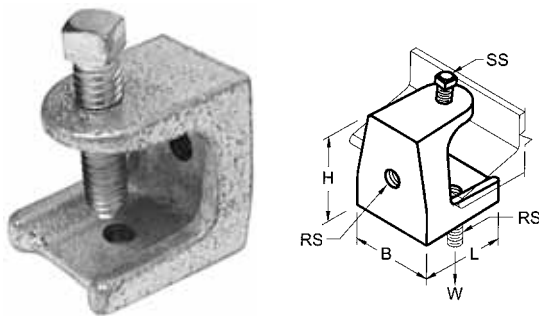
Malleable Iron Universal Beam Clamp



- ▶ Maximum Flange Thickness of 5/8"
- ▶ The threaded hole on the back side of the clamp is not load rated
- ▶ Zinc Electroplate Finish

| Cat. No. | Rod Size (RS) | Max Load (W1) | Max Load (W2) | Box Qty |
|----------|---------------|---------------|---------------|---------|
| 17486 | 1/4"-20 | 100 lbs. | 250 lbs. | 100 |

Malleable Iron Rod Support Beam Clamp



- ▶ Used with Conduit Hangers, Bridle Rings & Drop Rods. 1/4" to 1/2"
- ▶ Tapped for Rods - bottom and back on all sizes
- ▶ Malleable Iron - Zinc plated

Dimensions = Inches

| Cat. No. | Jaw Opening | Rod Size (RS) | Set Screw Size | Max Load (W) | B | L | H | Box Qty |
|----------|-------------|---------------|----------------|--------------|-------|-------|-------|---------|
| 17472 | 3/4" | 1/4"-20 | 5/16"-18 | 125 lbs. | 1.18" | 1.38" | 1.38" | 50 |
| 17474 | 7/8" | 3/8"-16 | 1/2"-13 | 300 lbs. | 2.00" | 1.87" | 1.75" | 50 |
| 17476 | 1-1/8" | 1/2"-13 | 1/2"-13 | 750 lbs. | 2.50" | 2.37" | 2.14" | 25 |