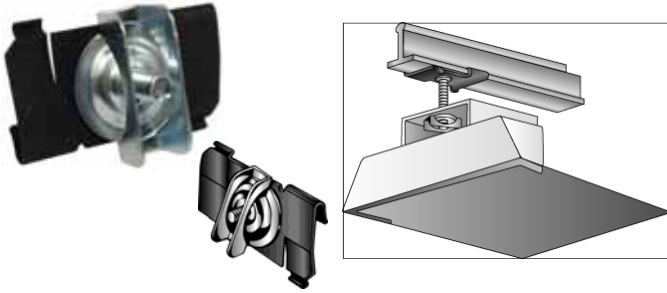


Spring Steel Twist On T-Bar Hanger

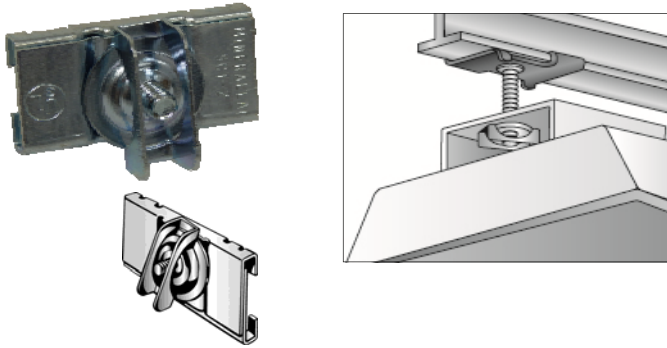


- ▶ Supports electrical fixtures to T-Bar 15/16" wide
- ▶ Assembled with 1" OD wing nut washer
- ▶ 1/4"-20 stud 5/8" long with wing nut washer

Dimensions = Inches

Cat. No.	Stud Size	T-Bar	Box Qty
18022	1/4-20 x 5/8"	15/16"	100

T-Bar Hanger Two Piece

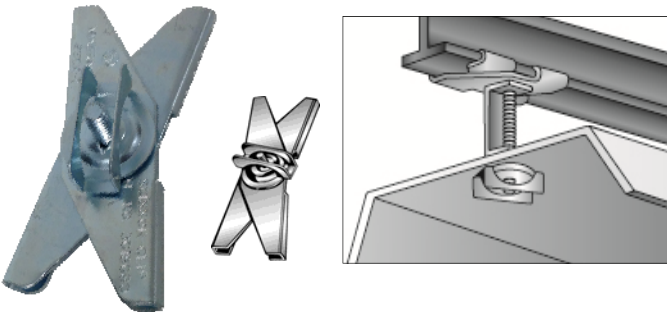


- ▶ Mounts fixtures or boxes to 1" T-bar
- ▶ Static Load Limit of 75 lbs
- ▶ Stud is flat head, square shoulder carriage bolt which will not turn when positioned in slot
- ▶ Assembled with 1" OD wing nut washer

Dimensions = Inches

Cat. No.	Stud Size	T-Bar	Box Qty
18386	1/4-20 x 5/8"	1"	100

T-Bar Scissor Clips

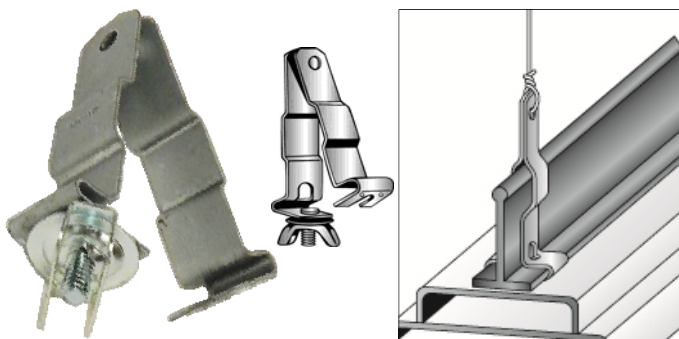


- ▶ Two-piece zinc plated clip used for mounting fixtures or boxes to 1" bar
- ▶ Static Load Limit of 100 lbs
- ▶ Includes wing nut washer

Dimensions = Inches

Cat. No.	Stud Size	T-Bar	Box Qty
18387	5/8"	1"	50
18388	2"	1"	50

T-Bar Drop Wire Clip

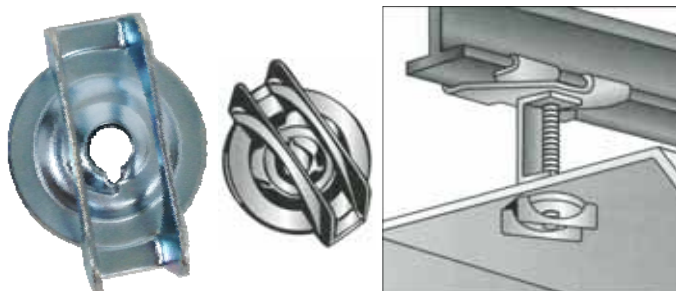


- ▶ Pre-galvanized clips support fixtures transmitting the weight of fixture directly to the building structure
- ▶ Adds rigidity and support for truer alignment of the T-Grid & relieves the T-Grid from load stress
- ▶ Made from one-piece construction to accommodate various styles of T-Grid
- ▶ Includes wing nut washer

Dimensions = Inches

Cat. No.	Stud Size	T-Bar	Box Qty
18385	5/8"	1"	50

Wing Nut Washer



- ▶ Made from zinc plated steel
- ▶ Fits 1/4"-20 Bolt

Dimensions = Inches

Cat. No.	Description	Box Qty
18389	Wing Nut Washer for 1/4"-20 Bolt	100