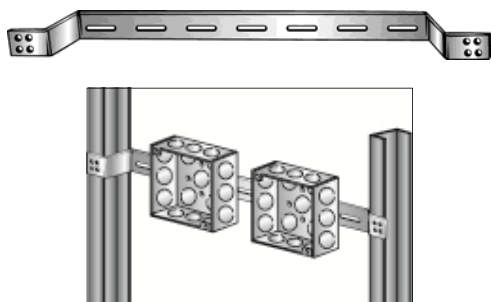


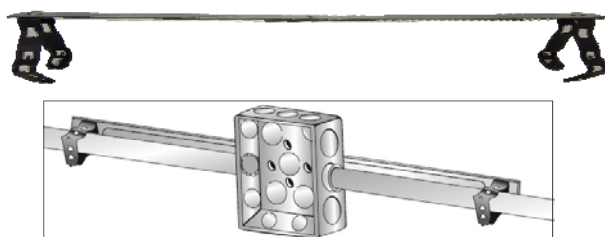
Box Mounting Brackets



- ▶ Supports electrical boxes located between studs on 16" or 24" centers
- ▶ Boxes attach using self-tapping screws
- ▶ Made from pre-galvanized steel

| Cat. No. | Description | Box Qty |
|----------|------------------------------------|---------|
| 18355 | 1-1/2" Box to Studs on 16" Centers | 50 |
| 18356 | 2-1/8" Box to Studs on 16" Centers | 50 |
| 18357 | 1-1/2" Box to Studs on 24" Centers | 50 |
| 18358 | 2-1/8" Box to Studs on 24" Centers | 50 |

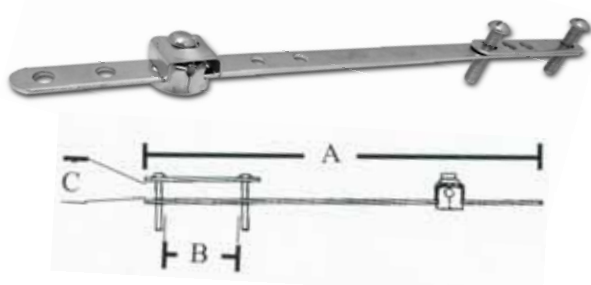
Conduit/Box to Stud Fastener



- ▶ Secures conduit and electrical boxes to most structures
- ▶ Provides conduit support on both sides of electrical box
- ▶ Hole for screw or threaded rod mount with 1/4"-20 x 5/8" stud
- ▶ Made from pre-galvanized steel
- ▶ Spring steel fasteners riveted to bar
- ▶ Secures 1/2" & 3/4" Conduit

| Cat. No. | Description | Box Qty |
|----------|---|---------|
| 18360 | Mount 4" Square Box with 1/2" or 3/4" Conduit | 25 |

Ceiling Box Bar Support

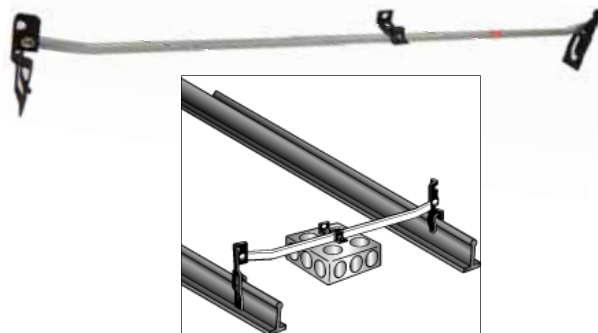


- ▶ Used where boxes need to be supported between structural members
- ▶ Adjustable Ceiling Box/Fixture Support

Dimensions = Inches

| Cat. No. | Dimensions | | | Box Qty |
|----------|------------|------|------|---------|
| | A | B | C | |
| 19000 | 10.65 | 2.17 | 1.22 | 50 |

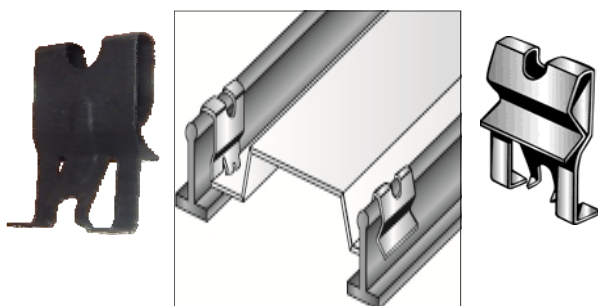
Box To T-Bar Fastener



- ▶ Snap-on 24" span box hanger with dual height adjustment allows flush or 3/4" offset mount
- ▶ 1 BBC mounting clip with screw included
- ▶ Pre-galvanized steel with spring steel hardware included

| Cat. No. | Description | Box Qty |
|----------|--------------------------------|---------|
| 18054 | 24" Span Box to T-Bar Fastener | 100 |

Lighting Troffer Fastener



- ▶ Clip-On positive support for troffers and lay-in fixtures
- ▶ Complies with 2011 NEC 410.36 (B) means of support
- ▶ Fits around rectangular head T-bars



| Cat. No. | Description | Box Qty |
|----------|-------------------------|---------|
| 18280 | T-Bar Clip for Troffers | 100 |