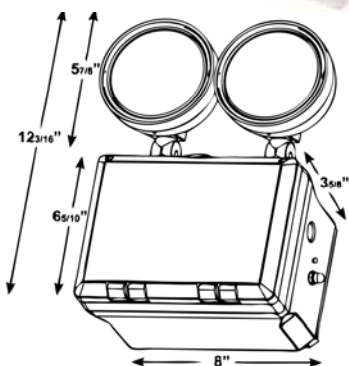


LED Cold Weather Wet Location Remote Capable Emergency



Use only with LED Remote Lamp Heads

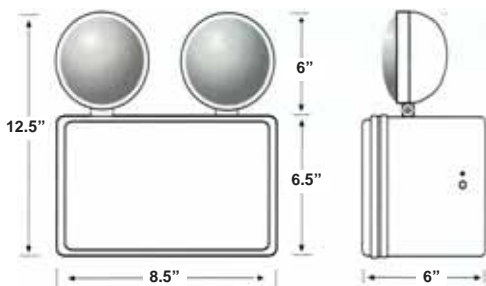
- ▶ Wet Location & Cold Weather Rated LED Emergency Light
- ▶ Remote Capable - up to 2 additional 1W 3.6V remote lamp heads (see pg DD14 for compatible LED Remote Lamp Heads)
- ▶ Dual 120/277 voltage
- ▶ Charge Rate/power "ON" LED Indicator Light and sealed push-to-test switch for mandated code compliance testing
- ▶ 9.6V 1900mah maintenance-free, rechargeable Ni-cad Battery
- ▶ Internal Solid-State Transfer Switch automatically connects the internal battery to LED board for minimum 90-minute emergency illumination
- ▶ Fully Automatic Solid-State, Dual-rate Charger initiates battery charging to recharge a discharged battery in 24 hours
- ▶ Flame Retardant, UV-stabilized Polycarbonate Gasketed Housing, Integral Breather Vent & External Mounting Brackets
- ▶ Sealed and Gasketed Weatherproof Lamp Heads with chrome reflector and tempered glass lens
- ▶ Top and side KO's provided for conduit feed applications
- ▶ E-Z snap-out Chevron directional indicators
- ▶ Meets UL924 for Wet Locations, NFPA 101 Life Safety Code, NEC, OSHA
- ▶ Operating Temperature -4°F to +122°F
- ▶ 5 Year Warranty

Remote Capability for up to 2 Additional LED Remote Lamp Heads (Use Only LED Remote Heads)

- ▶ 2 heads - 3 hours operation (Base Unit)
- ▶ 3 heads - 2 hours operation (Base Unit + 1 Head)
- ▶ 4 heads - 1.5 hours operation (Base Unit + 2 Heads)

Cat. No.	Housing	Battery	Case Qty
73370	Poly-Carbonate	9.6V 1900 mAH Nicad	2

Wet Location Incandescent Emergency Lights



#73397 Remote Capable Unit
Only Use with Incandescent Remote Lamp Heads
(Not LED Lamp Heads)

This enclosure is ideal for wet locations - resistant to corrosive atmospheres, non-hazardous dust environments, water spray & splashing water

- ▶ ABS, corrosion resistant UV stabilized enclosure
- ▶ Dual 120 or 277 VAC input, field selectable
- ▶ Automatic brownout feature
- ▶ Maintenance-free, rechargeable sealed lead acid battery
- ▶ Solid-state charging circuit
- ▶ Solid-state line-latched low voltage disconnect provides 100% load disconnect protection to guard against battery deep discharge
- ▶ Short circuit and overload protection on DC output circuit
- ▶ Sealed momentary test switch
- ▶ Sealed AC ready light
- ▶ 2 X 7.2W lamp wattage
- ▶ Tempered Glass Lens
- ▶ Model #73397 accommodates 2 Incandescent Remote Capable Heads (Use only Incandescent Remote Heads)
- ▶ Meets UL924 for Wet Locations, NFPA 101 Life Safety Code, NEC, OSHA
- ▶ 5 Year Warranty

Cat. No.	Type	Emergency Operation	Case Qty
73396	Standard	90 min.	2
73397	Remote Capable	90 min. +	2