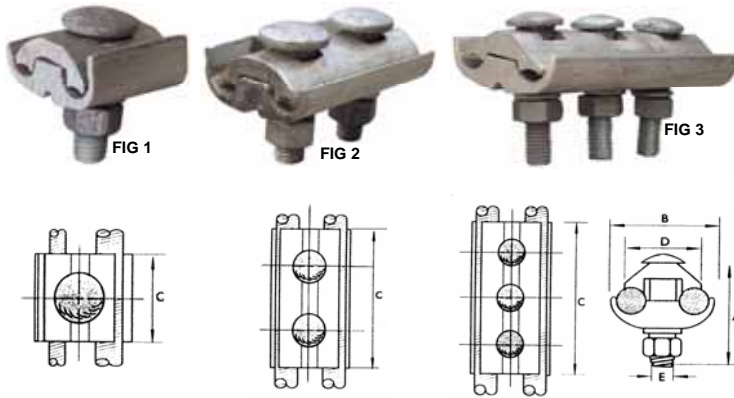


Aluminum Parallel Groove Clamps



- ▶ Use for Heavy Duty Service Entrance or Distribution Armored Rod Clamps
- ▶ Manufactured from Thermally Treated Extruded Aluminum Alloy
- ▶ High Electrical Conductivity, High Strength and Corrosion Resistance
- ▶ The set screw, lock washer and nut are hot dip galvanized
- ▶ All sizes are pre-filled with antioxidant inhibitor

Dimensions = Inches

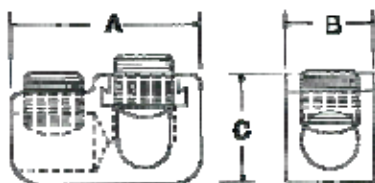
Cat. No.	Figure	Main (Groove A)			Tap (Groove B)			Inches					Inner Box Qty	Outer Box Qty
		CU-AL	ACSR	Wire Diameter	Cu-AL	ACSR	Wire Diameter	A	B	C	D	E		
96012	1	10-1/0	6-1/0	.102-.398	10-2	6-2	.102-.325	1.50	1.50	1.24	1.14	.394	50	100
96016	1	10-2/0	6-1/0	.098-.417	10-2/0	6-1/0	.098-.417	1.50	1.50	1.24	1.14	.394	50	100
96020	1	1/0-4/0	1/0-4/0	.373-.563	8-1/0	6-1/0	.128-.398	1.97	1.89	1.46	1.50	.394	50	100
96022	2	1/0-4/0	1/0-4/0	.373-.563	8-1/0	6-1/0	.128-.398	1.97	1.89	2.91	1.50	.394	25	25
96024	1	1/0-397.5	1/0-336.4	.373-.720	6-2/0	6-1/0	.162-.417	2.36	2.24	1.67	1.67	.394	50	100
96026	2	1/0-397.5	1/0-336.4	.373-.720	6-2/0	6-1/0	.162-.417	2.36	2.24	2.91	1.67	.394	-	50
96028	1	397.5-400	397.5	.728-.740	397.5-400	397.5	.728-.740	2.36	2.56	1.57	1.97	.472	-	50
96030	2	397.5-400	397.5	.728-.740	397.5-400	397.5	.728-.740	2.36	2.56	3.15	1.97	.472	-	25
96032	3	397.5-400	397.5	.728-.740	397.5-400	397.5	.728-.740	2.36	2.56	4.61	1.97	.472	-	15

Aluminum Parallel & Tee Tap Connectors



- ▶ Dual rated for both copper and aluminum conductors and electro tin plated to provide low contact resistance and protection against corrosion
- ▶ Manufactured from high strength 6061-T6 aluminum alloy to ensure both maximum strength and conductivity
- ▶ Dual entry wire holes allow for Parallel or Tee Tap connectors
- ▶ Assembly can be made with only a screwdriver or allen wrench
- ▶ Re-usable
- ▶ Rated 90°C
- ▶ 600 Volt

Dimensions = Inches



Cat. No.	AWG	Main Wire	Tap Wire	A	B	C	Box Qty
91012	2	2-12	4-14	1.39	0.63	0.88	50
91014	1/0	1/0-2	1/0-14	1.75	0.75	1.00	25
91016	250-1/0	250-1/0	1/0-14	2.25	1.00	1.31	25
91018	250	250-1/0	250-6	2.00	1.00	1.31	12
91020	350	350-4/0	350-6	2.56	1.25	1.44	12
91022	500	500-350	500-2	3.13	1.38	1.75	12
91023	750	750-500	500-2	3.38	1.50	2.00	6

Aluminum Parallel & Tee Tap Covers



- ▶ Flexible covers allow for either parallel or 'T' tap wire entry
- ▶ Secure snap eliminates the need for taping
- ▶ Rated 90°C 600 volt

Dimensions = Inches

Cat. No.	AWG	Cover Color	L	W	H	Box Qty
91112	2	Yellow	2-7/32	1-9/32	1-7/64	12
91114	1/0	Gray	2-5/8	2-5/32	1-1/4	12
91116	250	Red	3-7/16	2-7/8	1-5/8	12
91118	350	Yellow	3-3/4	3-3/16	1-3/4	12
91120	500	Blue	4-3/8	3-5/16	2-3/32	12
91122	750	Orange	4-5/8	3-7/16	2-11/32	12