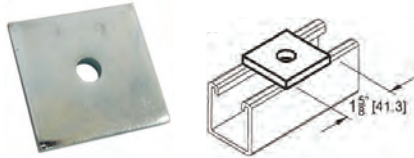


STEEL HAS ZINC ELECTROPLATE FINISH, 1-5/8" WIDE X 1/4" THICK. HOLES ARE 9/16" DIAMETER, 13/16" CENTER TO EDGE ON 1-7/16" CENTERS

## Square Washer



DIMENSIONS = INCHES

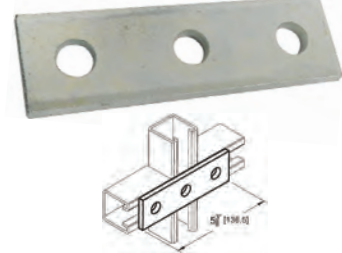
CAT. NO.	BOLT SIZE	HOLE SIZE	BOX QTY
17612	1/4"	5/16"	100
17616	3/8"	7/16"	100
17618	1/2"	9/16"	100

## 2 Hole Splice Plate



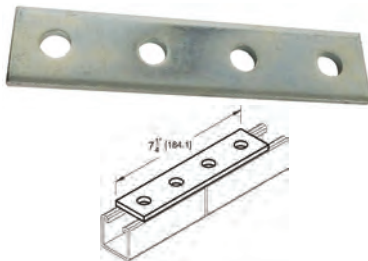
CAT. NO.	BOX QTY
17622	50

## 3 Hole Splice Plate



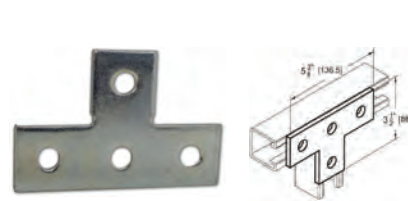
CAT. NO.	BOX QTY
17624	25

## 4 Hole Splice Plate



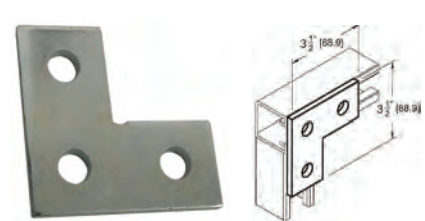
CAT. NO.	BOX QTY
17626	25

## 4 Hole Tee Plate



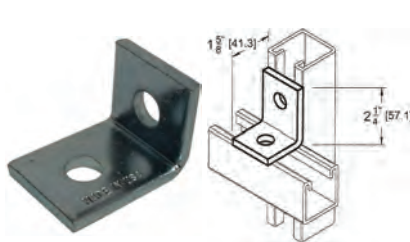
CAT. NO.	BOX QTY
17636	20

## 3 Hole Corner Plate



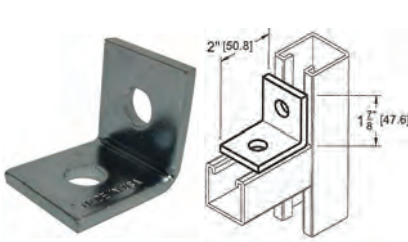
CAT. NO.	BOX QTY
17632	25

## 2 Hole Cross Corner Angle



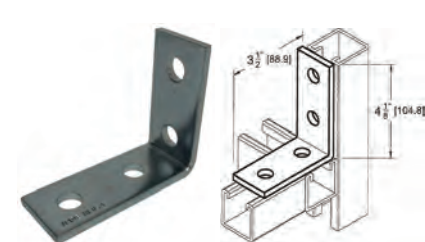
CAT. NO.	BOX QTY
17630	50

## 2 Hole Corner Angle



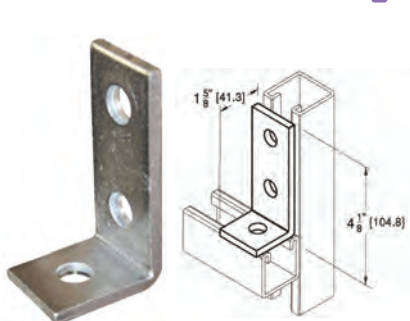
CAT. NO.	BOX QTY
17628	50

## 4 Hole 3 Way Corner Angle



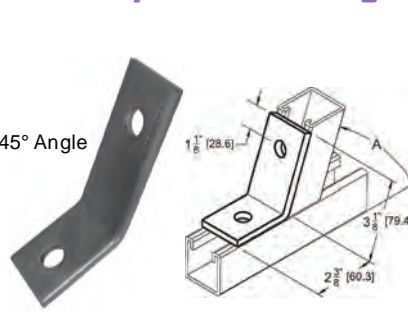
CAT. NO.	BOX QTY
17634	25

## 3 Hole Cross Corner Angle



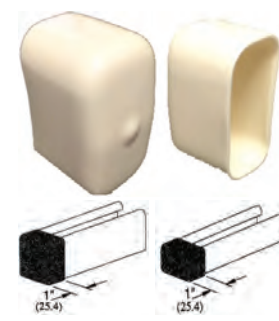
CAT. NO.	BOX QTY
17633	50

## 2 Hole Open Corner Angle



CAT. NO.	BOX QTY
17638	50

## Plastic White End Caps



CAT. NO.	CHANNEL USED WITH	BOX QTY
17682	13/16"	100
17684	1-5/8"	100

