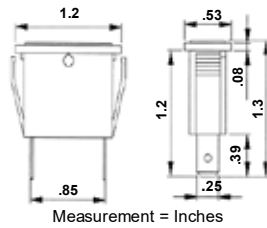




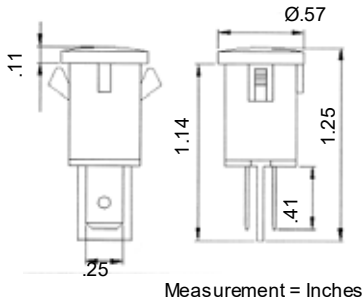
Rectangular Indicator Pilot Lamp



- 250VAC Incandescent
- Insulation Resistance: 100 milliohm
- Dielectric Strength: 3000VAC
- Lamp Life Expectancy: > 10,000 Hrs
- -13°F to 185°F
- Nylon 6/6 Housing with Polycarbonate Lens
- Brass Terminals

CAT. NO.	COLOR	RATING	TERMINATION	BAG QTY
70310	GREEN	250VAC	SPADE	10
70311	RED	250VAC	SPADE	10
70312	AMBER	250VAC	SPADE	10

Round Indicator Pilot Lamp



- Incandescent
- Insulation Resistance: 100 milliohm
- Dielectric Strength: 3000VAC
- Lamp Life Expectancy: > 10,000 Hrs
- -13°F to 185°F
- Nylon 6/6 Housing with Polycarbonate Lens
- Brass Terminals
- .47" Shaft Diameter

CAT. NO.	COLOR	RATING	TERMINATION	BAG QTY
70320	GREEN	250VAC	QUICK CONNECT	10
70321	RED	250VAC	QUICK CONNECT	10
70322	AMBER	250VAC	QUICK CONNECT	10
70325	AMBER	125VAC	6" WIRE LEADS	10
70326	GREEN	24VDC	6" WIRE LEADS	10
70327	RED	24VDC	6" WIRE LEADS	10
70328	AMBER	24VDC	6" WIRE LEADS	10

Cord Switches



- 6A 125V, 3A 250V
- Single Pole
- On/Off
- Use with #18 SPT-1 Wire
- Feed-thru with Captive Screw

CAT. NO.	COLOR	RATING	TERMINATION	BAG QTY
70450	BROWN	6A 125VAC 3A 250VAC	SCREW	10
70451	WHITE	6A 125VAC 3A 250VAC	SCREW	10