



Catalog Number 90630
 UPC Number 60198690630
 Description Copper Pipe Ground Clamp 1 1/4" - 2"
 Direct Burial



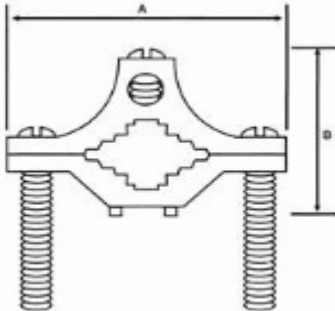
Features

- Manufactured from High Strength High Conductivity Cast Copper Alloy
- Stainless Steel Hardware
- Water Pipe, Ground Rod, Copper Tubing applications
- Internal Serrations for improved contact integrity
- Direct Burial Rated

General

Pipe Size: 1-1 /4", 1-1/2" , 2"
 Material: High Conductivity Cast Copper
 Screw Type: Stainless Steel
 Screw Thread: 5/16" x 18
 Wire Range: #10 awg - #2 awg

Dimension Information



Width: 3.58"
 Height: 1.93"

Specifications

Temperature Rating:
 Voltage Rating: 600
 Flammability Rating:
 Amp Rating:

Packaging

Box Qty: 10

Certifications

UL Yes
 cUL Yes
 RoHS Yes