



Catalog Number 90628
UPC Number 60198690628
Description Copper Pipe Ground Clamp 1 1/4" - 2"



Features

- Manufactured from High Strength High Conductivity Cast Copper Alloy
- Steel Zinc Plated Set Screws
- Water Pipe, Ground Rod, Copper Tubing applications
- Internal Serrations for improved contact integrity

General

Pipe Size 1 1/4", 1 1/2", 2"
Material High Conductivity Cast Copper
Screw Type Zinc coated steel
Screw Thread 5/16" x 18
Wire Range #10 awg - #2 awg

Dimension Information

A Dim Inches 3.54"
B Dim Inches 2.48"

Specifications

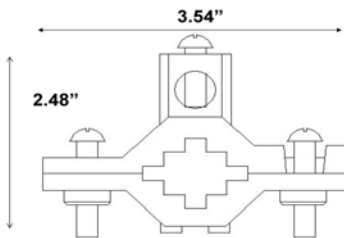
Temperature Rating
Voltage Rating 600
Flammability Rating
Amp Rating

Packaging

Box Qty 10

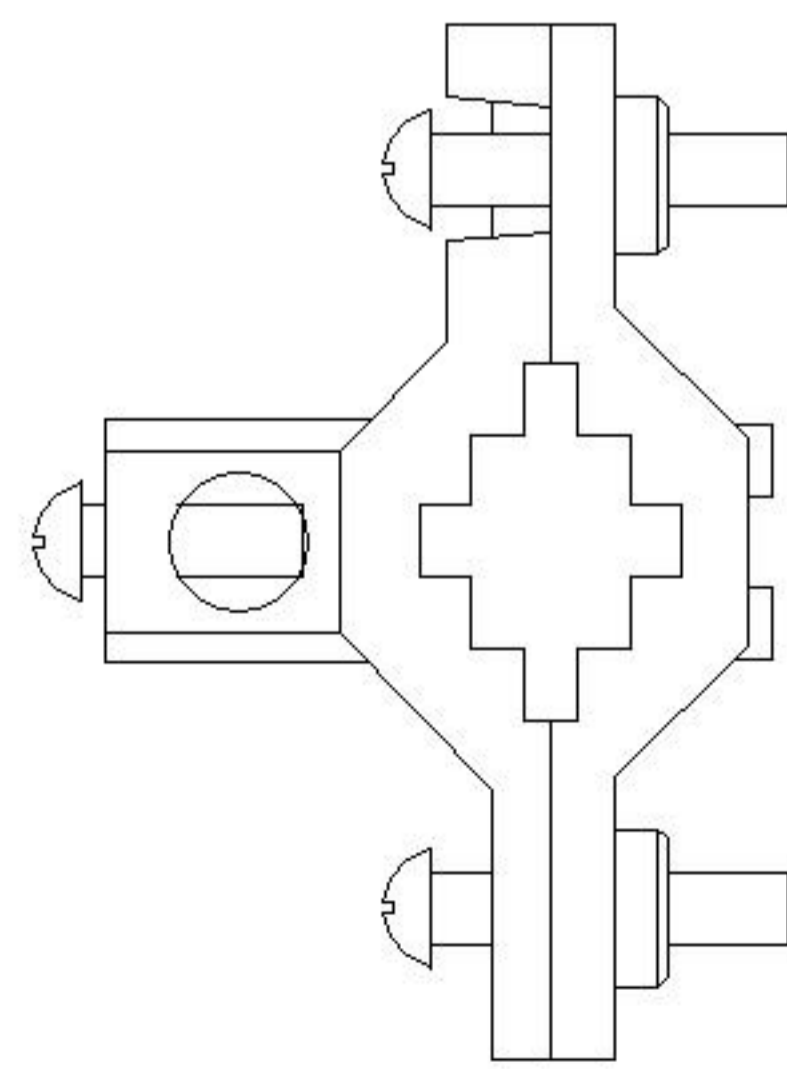
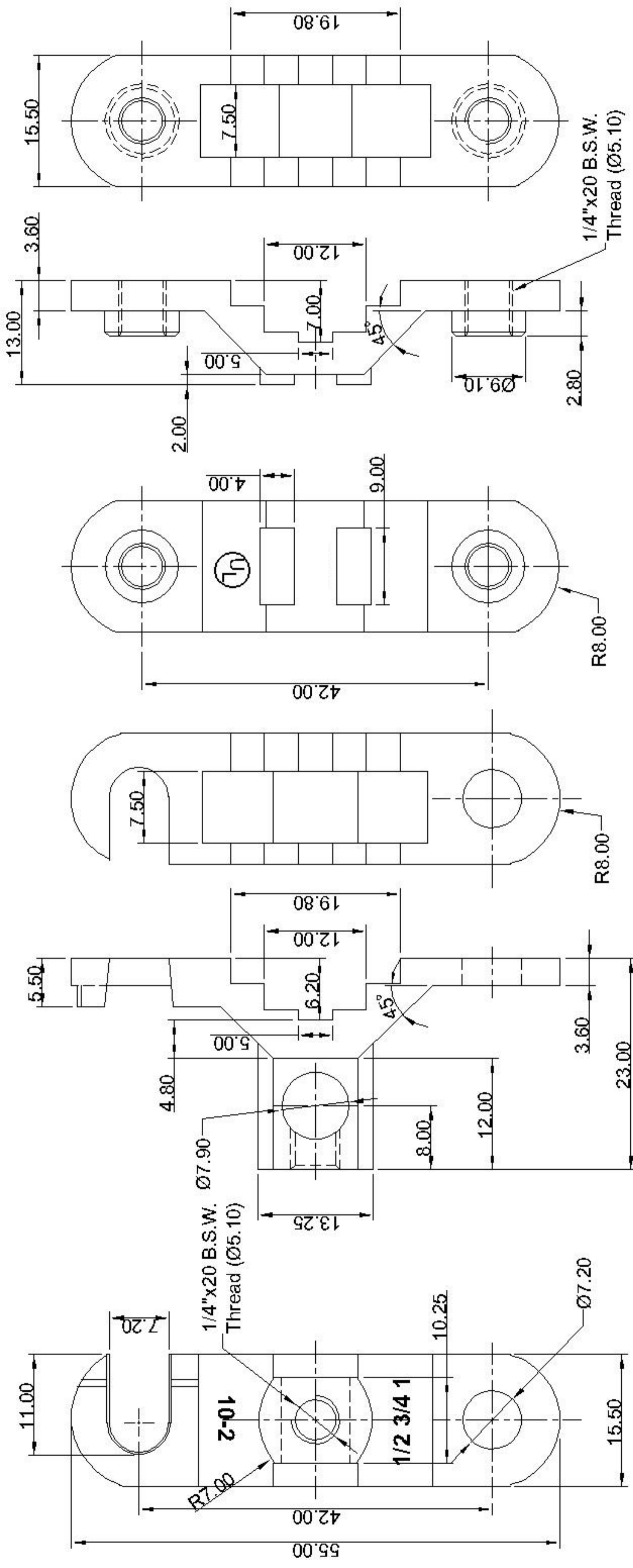
Certifications

UL Yes
cUL Yes
RoHS Yes



www.morrisproducts.com

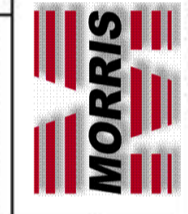
Morris Products 53 Carey Road, Queensbury, NY 12804



Assembly View

Part Name	Part No.	Material	Treatment
Screw	90627/90628	Mild Steel	Blue Zinc Plated
Screw	90629/90630	Copper Alloy with copper above 80 %	Natural

NAME	DATE
DRAWN	NAMAN B. 10 11 2001
CHECKED	V.G.PATEL 10 11 2001
APPROVED	V.G.PATEL 10 11 2001
MATERIAL	Copper Alloy with copper above 80 %
TREATMENT	Shot Blasting
TOLERANCE	±0.50
SCALE	N.T.S.
All dimensions are in mm	



Morris Products Inc. Queensbury NY

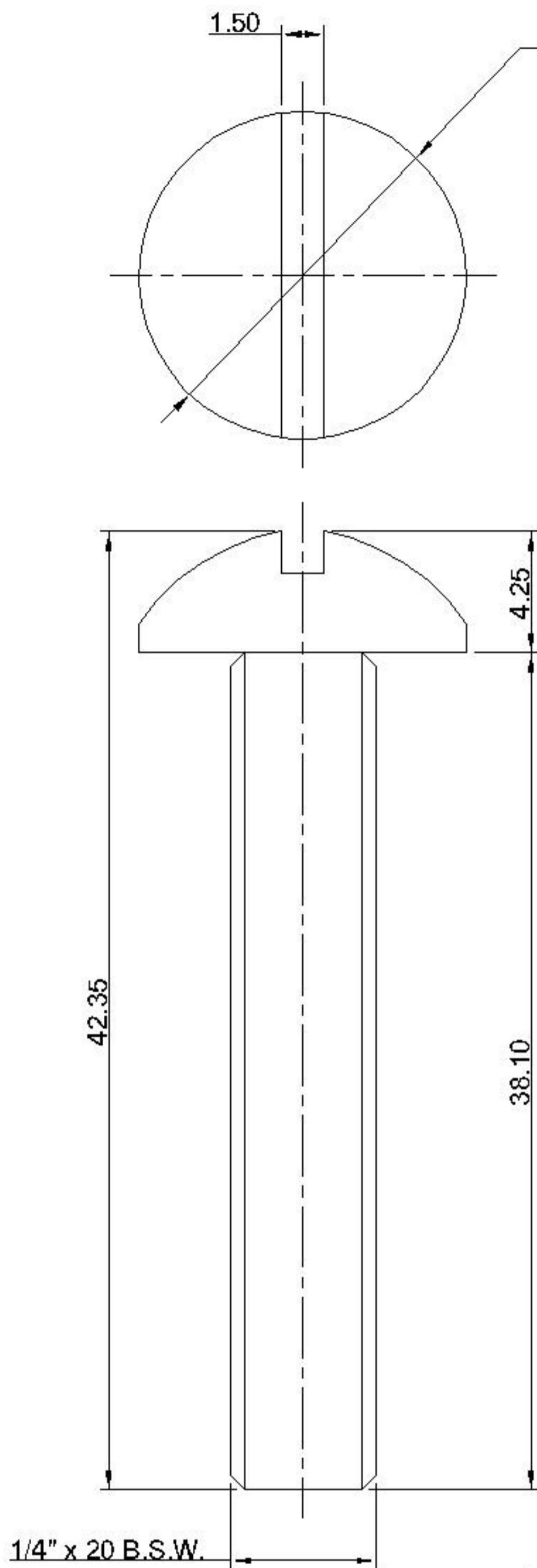
TITLE - Pipe Clamp 1/2" 3/4" 1"

Rev. No.	Date	Drawn	Approved
D	05/04/10	Jaysukh	Sunil

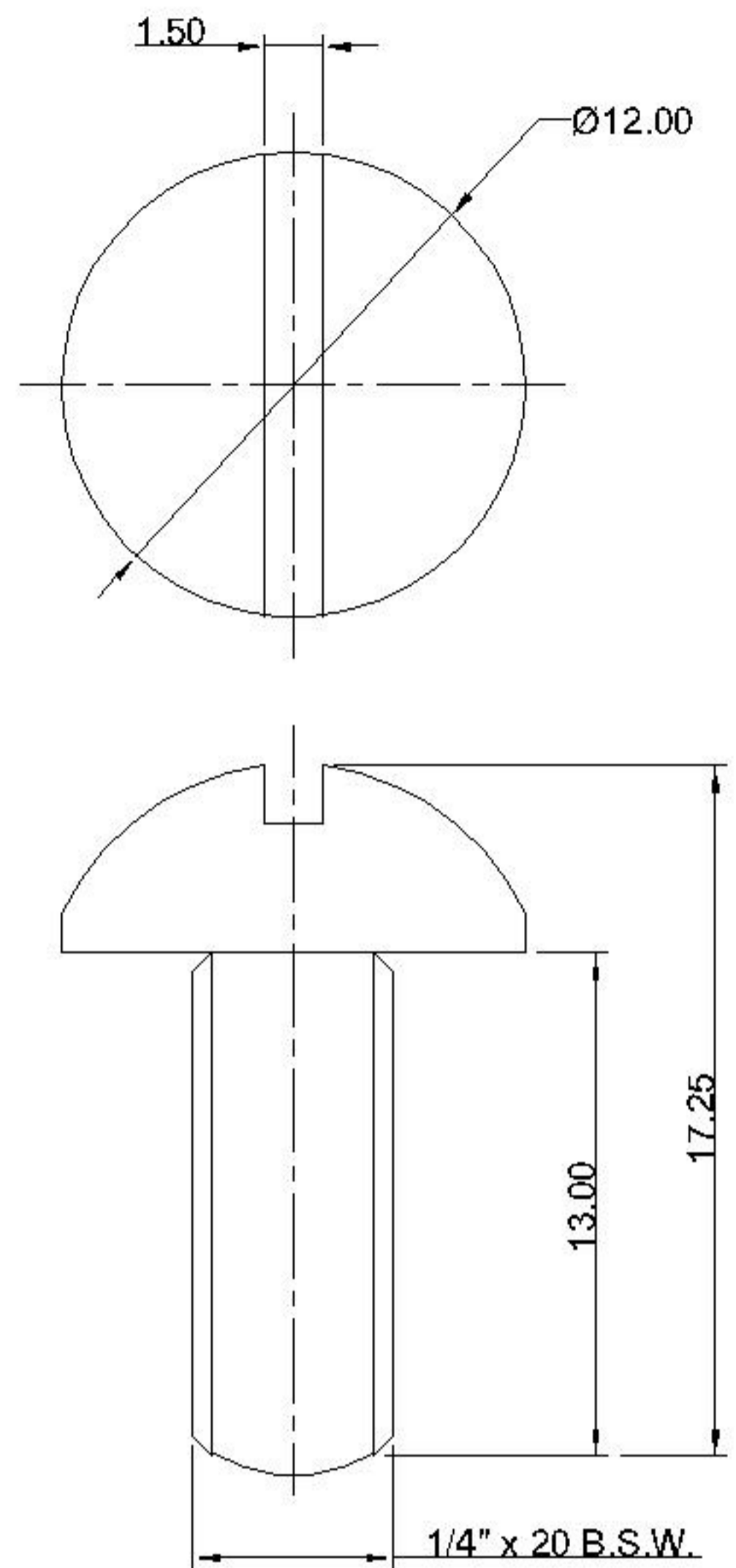
Weight :-

Drawing No.- 90628-A

Size :- A4




Qty. :- 2 Pcs.



Qty. :- 1 Pcs.

Part Name	Part No.	Material	Treatment
Screw	90627/90628	Mild Steel	Blue Zinc Plated
Screw	90629/90630	Copper Alloy with copper above 80 %	Natural

	NAME	DATE					
DRAWN	NAMAN B.	10 11 2001					
CHECKED	V.G.PATEL	10 11 2001					
APPROVED	V.G.PATEL	10 11 2001	C	Chart & Part No. Add.	01/10/09	Jaysukh	Sunil
MATERIAL - As Per Chart			Rev. No.	Details of Revision	Date	Drawn	Approved
TREATMENT - As Per Chart			 Morris Products Inc. Queensbury NY				
TOLERANCE - ±0.50			TITLE - Pipe Clamp Bolt				
SCALE - N.T.S.							
All dimensions are in mm & Inches.			Drawing No.- 90628-B		Weight :-		Size :- A4