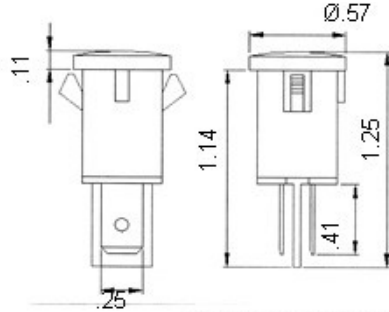




MORRIS CAT#: 70322
Round Indicator Pilot Lamp Quick Connect Spade
Terminal Amber 250VAC



Measurement = Inches

Features:

Round Indicator Pilot Lamp Quick Connect Spade Terminal Amber 250VAC features include:

- Incandescent Indicator Lamps
- Insulation Resistance: 100 milliohm
- Dielectric Strength: 3000VAC
- Lamp Life Expectancy: > 10,000 Hrs
- -13°F to 185°F
- Nylon 6/6 Housing with Polycarbonate Lens
- Brass Quick Connect Spade Terminals
- Order Qty of 10 = 1 Bag of 10

CAT. NO.	COLOR	RATING	TERMINATION	BAG QTY
70322	AMBER	250VAC	QUICK CONNECT	10