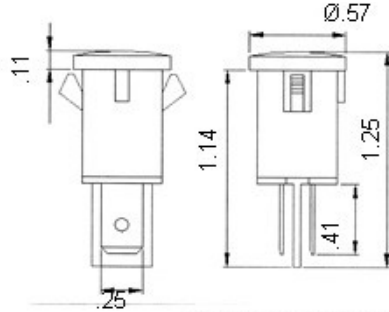




**MORRIS CAT#: 70320**  
**Round Indicator Pilot Lamp Quick**  
**Connect Spade Terminal Green 250VAC**



Measurement = Inches

**Features:**

Round Indicator Pilot Lamp Quick Connect Spade Terminal Green 250VAC features include:

- Incandescent Indicator Lamps
- Insulation Resistance: 100 milliohm
- Dielectric Strength: 3000VAC
- Lamp Life Expectancy: > 10,000 Hrs
- -13°F to 185°F
- Nylon 6/6 Housing with Polycarbonate Lens
- Brass Quick Connect Spade Terminals
- Order Qty of 10 = 1 Bag of 10

<b>CAT. NO.</b>	<b>COLOR</b>	<b>RATING</b>	<b>TERMINATION</b>	<b>BAG QTY</b>
70320	GREEN	250VAC	QUICK CONNECT	10