



**Catalog Number** 70210  
**UPC Number** 60198670210  
**Description** Push Canopy Switch  
ON-OFF



**Features**

- Heavy Duty
- SPST
- ON-OFF
- 6" 18 AWG Leads

**General**

**Material:** Nickel Plated Actuator  
HD Non-Metallic Housing

**Dimension Information**

See Engineering Dwg

**Specifications**

Temperature Rating: 85°C  
Voltage Rating: 125/250 VAC  
Flammability Rating: N/A  
Amperage Rating: 6 AMP, 125VAC  
3 AMP, 250VAC

**Packaging**

Bag Qty 10

**Certifications**

UL Yes  
CSA Yes  
ROHS

[www.morrisproducts.com](http://www.morrisproducts.com)

Morris Products 53 Carey Road, Queensbury, NY 12804

**70210**

PUSH ON/OFF SPST

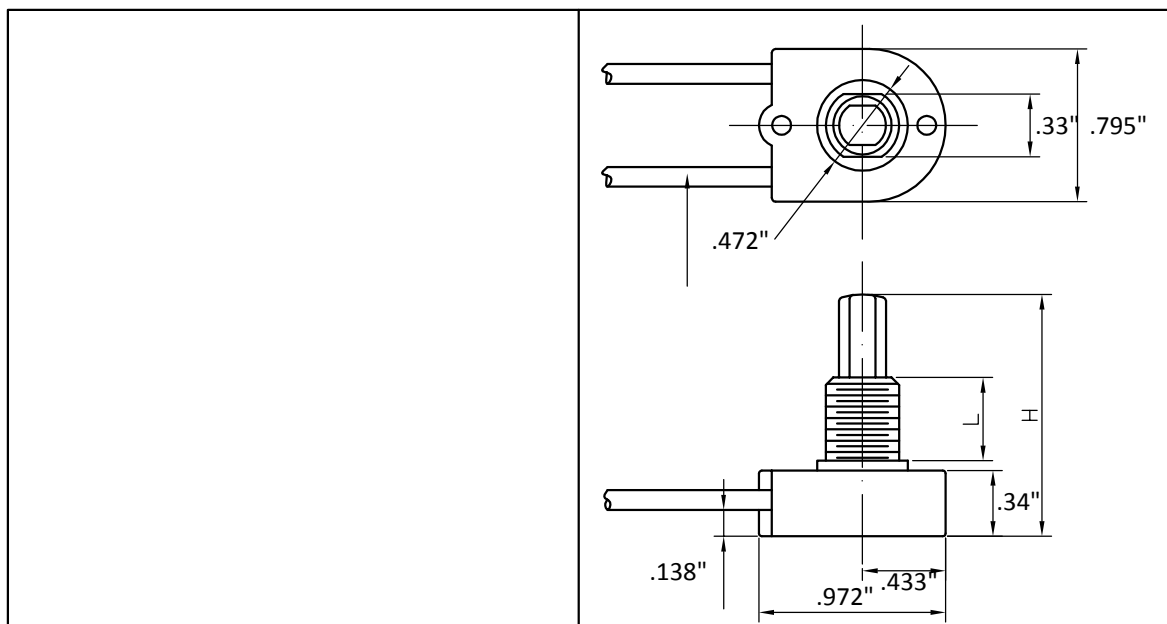
RATED: 1A 125VT, 3A 125VT,

3A 250VAC,

6A 125VAC, 6A 125VL.

TEMPERATURE: P:85°C M:100°C

NIPPLE: 1/8NPS27

**NICKEL PLATED ACTUATOR**

Revised 7-16-2011