



**Catalog Number** See Table  
**UPC Number**  
**Description** Cable Tie - Colors - Various  
50 Lb Tensile Strength



#### Features

- Durable Nylon 6/6 Material
- Low Profile Locking Head
- Bent Tip for ease of insertion into locking head
- Various colors

#### General

**Material:** Nylon 6/6  
**Flammability:** UL94V-2  
**Colors:** Various

#### Dimension Information

**Length:** 8"  
**Width:** .179"  
**Bundle Dia:** 2"

#### Specifications

**Temperature Rating** Negative 40 to 185<sup>0</sup> F  
**Voltage Rating** 600  
**Flammability Rating** UL 94V-2  
**Tensile Strength:** 50 Lbs

#### Packaging

**Bag Qty** 100

#### Certifications

**UL** Yes  
**CSA** Yes  
**ROHS** Yes

[www.morrisproducts.com](http://www.morrisproducts.com)

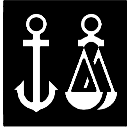
Morris Products 53 Carey Road, Queensbury, NY 12804



Cat No.	Color	Bag Qty	Master Bag Qty	
20611	Red	100	1000	
20613	Yellow	100	1000	
20614	Green	100	1000	
20615	Blue	100	1000	
20616	Brown	100	1000	
20617	Orange	100	1000	
20618	Gray	100	1000	
20619	Purple	100	1000	
20623	Fluorescent Yellow	100	1000	
20624	Fluorescent Green	100	1000	
20625	Fluorescent Blue	100	1000	
20626	Fluorescent Pink	100	1000	
20627	Fluorescent Orange	100	1000	

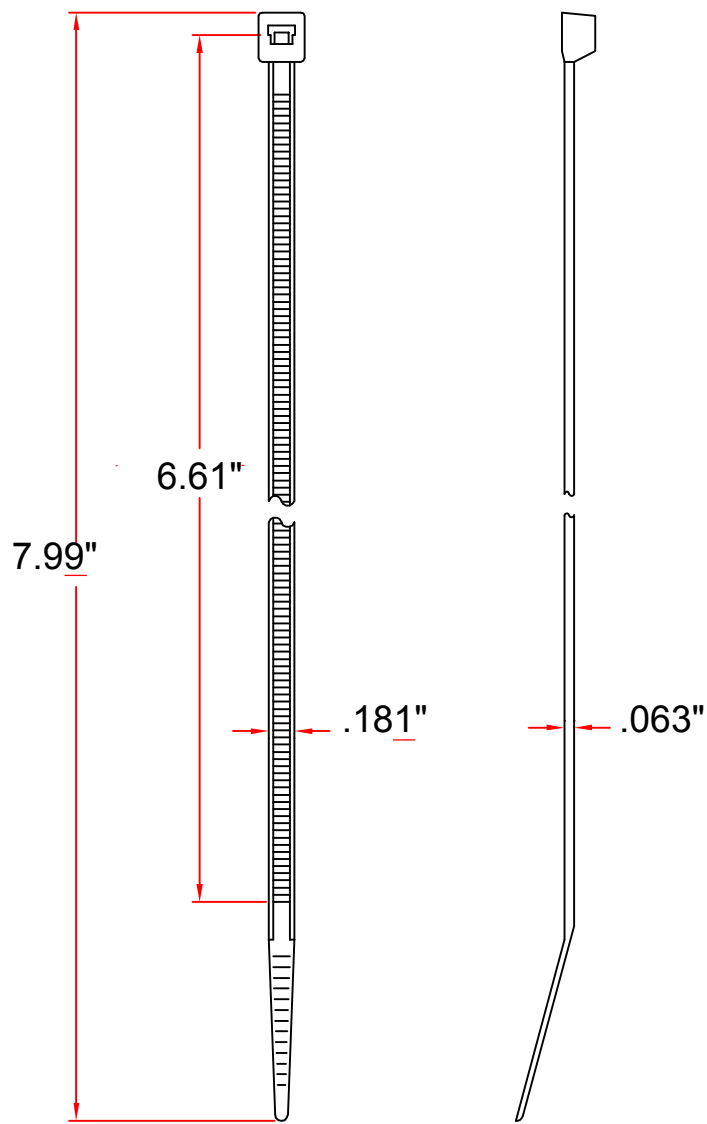
[www.morrisproducts.com](http://www.morrisproducts.com)

Morris Products 53 Carey Road, Queensbury, NY 12804



1 2 3 4

A  
B  
C  
D  
E  
F




MATERIAL	UL 94V-2	ITEM NO.	20615
	NYLON 66		

SCALE		Color	Blue	NAME	NYLON CABLE TIE
-------	--	-------	------	------	-----------------

△	( . . )	Morris Products Queensbury NY	△	03-20-2007 DATE	REVISIONS K001	R.NO.
---	---------	----------------------------------	---	--------------------	----------------	-------