



**Catalog Number** See Table  
**UPC Number**  
**Description** Security Cable Tie  
 ID Marking Tie  
 Natural Tensile Strength?



**Features**

- Durable Nylon 6/6 Material
- Low Profile Locking Head
- Bent Tip for ease of insertion into locking head
- Marking Area for ID purposes

**General**

**Material:** Nylon 6/6  
**Flammability:** UL94V-2

**Dimension Information**

**Length:** See Table  
**Width:** See Table  
**Bundle Dia:** See Table  
**Marker Tab:** See Table

**Specifications**

**Temperature Rating** Negative 40 to 185° F  
**Voltage Rating** 600  
**Flammability Rating** UL 94V-2  
**Tensile Strength:** ???

**Packaging**

**Bag Qty** 100

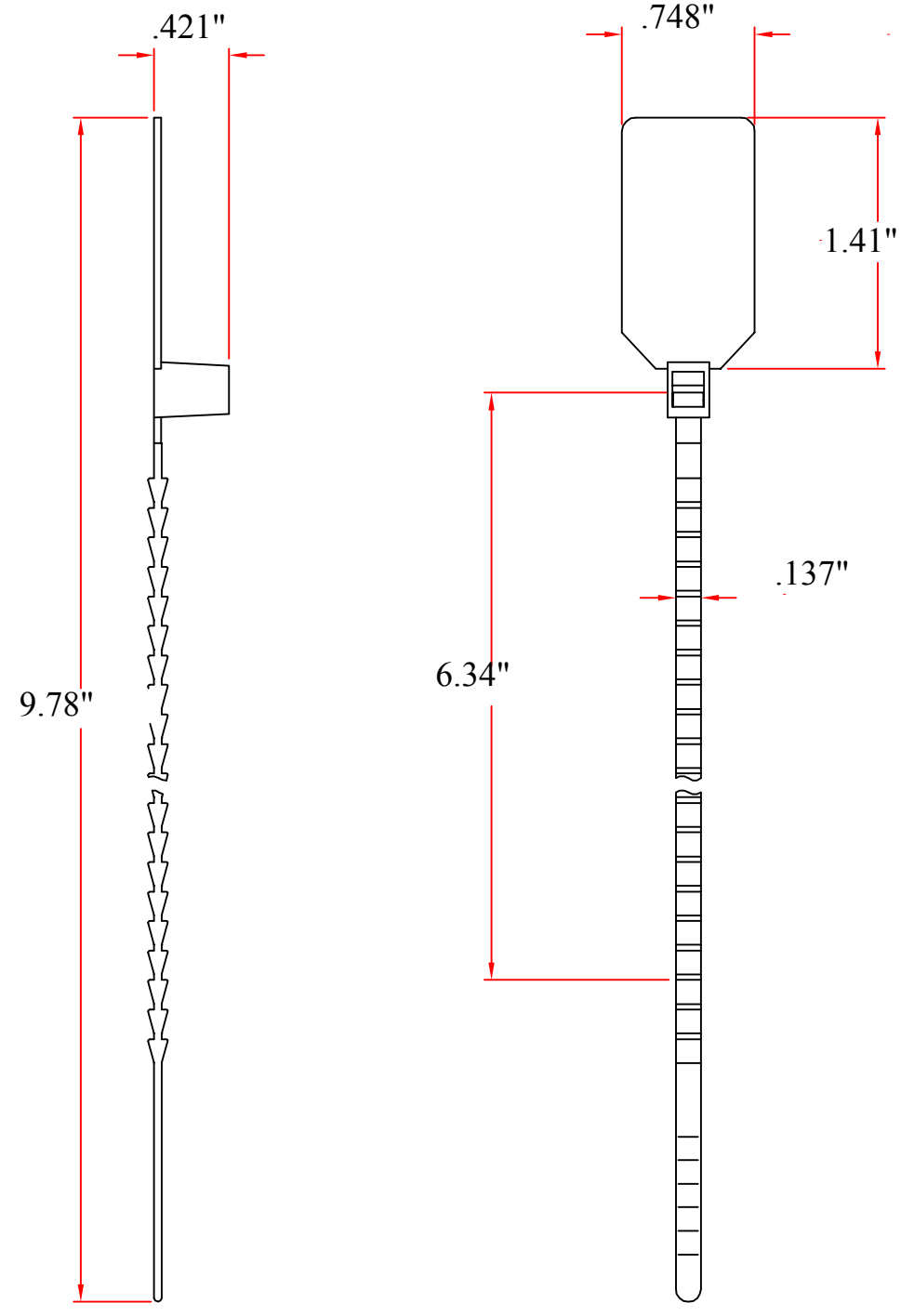
**Certifications**

**UL** Yes  
**CSA** Yes  
**ROHS** Yes

Cat No.	Length	Width	Max Bundle Dia	Marking Pad	Bag Qty	Master Bag Qty
20372	4.37"	0.10"	0.79"	0.31" x 1.09"	100	1000
20374	9.78"	0.14"	1.97"	1.42" x 0.75"	100	1000
20376	15.75"	0.19"	4.02"	1.44" x 0.75"	100	—

1 2 3 4

A  
B  
C  
D  
E  
F



MATERIAL	UL 94V-2	ITEM NO.	20374
	NYLON 66		

SCALE		NAME	SECURITY TIE

△	(. . .)	Morris Products	△	(. . .)	05-12-2003	REVISIONS	K001	R.NO.
		Queensbury NY		DATE				