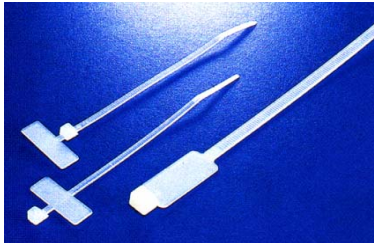




Catalog Number 20367
UPC Number 60198620367
Description Marker Cable Tie
50 Lb Tensile Strength



Features

- Durable Nylon 6/6 Material
- Low Profile Locking Head
- Bent Tip for ease of insertion into locking head
- Label/Marking area

General

Material: Nylon 6/6
Flammability: UL94V-2

Dimension Information

Length: 10.62"
Width: .179"
Bundle Dia: 2.95"
Marker Size: .51" x 1.10"

Specifications

Temperature Rating Negative 40 to 185⁰ F
Voltage Rating 600
Flammability Rating UL 94V-2
Tensile Strength: 50 Lbs

Packaging

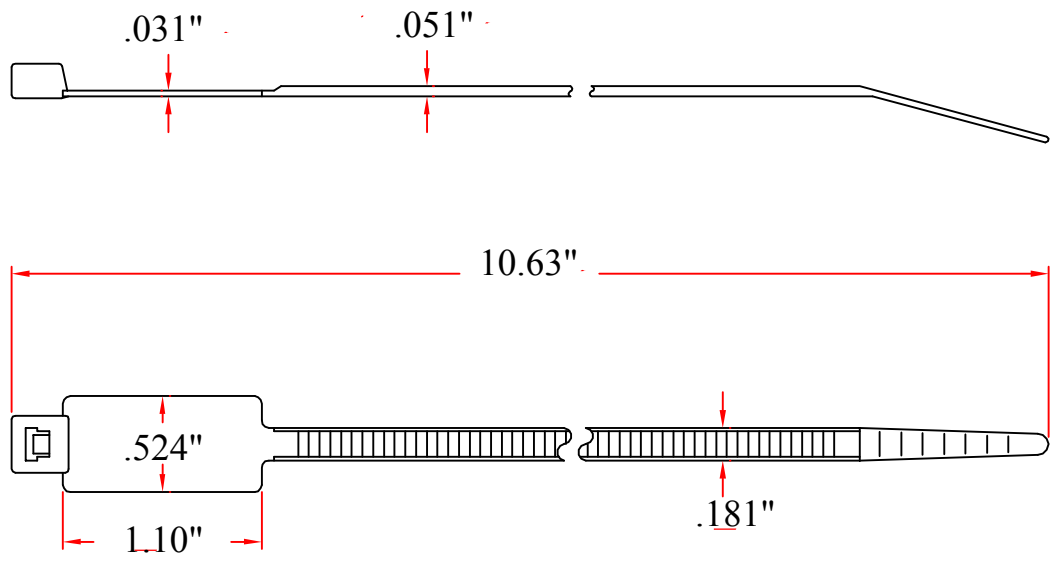
Bag Qty 100

Certifications

UL Yes
CSA Yes
ROHS Yes

www.morrisproducts.com

Morris Products 53 Carey Road, Queensbury, NY 12804



			MATERIAL UL 94V-2	ITEM NO.	20367	
			NYLON 66			
SCALE			Natural	NAME	MARKER TIE	
△	(. .)	Morris Products		△	10-25-2007	REVISIONS K001
		Queensbury NY			DATE	
						R.NO.