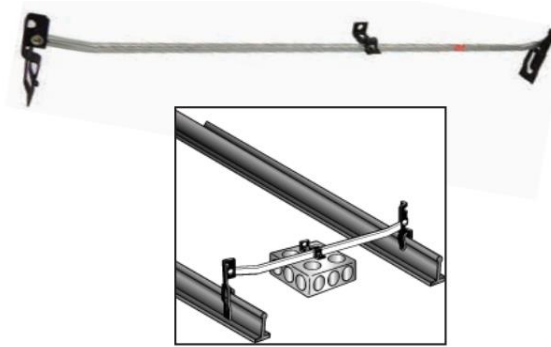




# MORRIS CAT#: 18054

## Box To T-Bar Fastener



### Features:

- Snap-on 24" span box hanger with dual height adjustment allows flush or 3/4" offset mount
- 1 BBC mounting clip with screw included
- Pre-galvanized steel with spring steel hardware included

<b>CAT. NO.</b>	<b>DESCRIPTION</b>	<b>BOX QTY</b>
18054	24" SPAN BOX TO T-BAR FASTENER	100