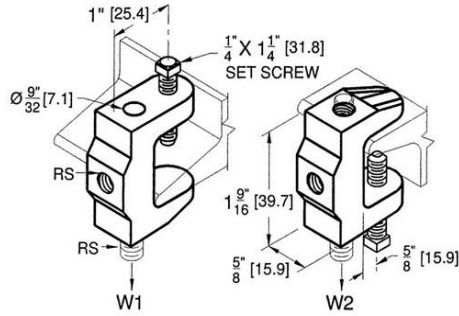




Morris CAT#: 17486
Malleable Iron Universal Beam Clamp



Features:

- Maximum Flange Thickness of 5/8"
- The threaded hole on the back side of the clamp is not load rated
- Zinc Electroplate Finish

<i>CAT. NO.</i>	<i>ROD SIZE (RS)</i>	<i>MAX LOAD (W1)</i>	<i>MAX LOAD (W2)</i>	<i>BOX QTY</i>
17486	1/4"-20	100 LBS.	250 LBS.	100