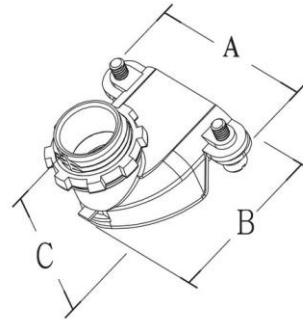




Morris CAT#: 15067
90° Flex Conduit Duplex Box Connector -
Zinc Die Cast



Features:

- Use to connect two pieces of Flexible Metallic Conduit, AC, MC, or NM sheathed cable to a steel box or other metal enclosure when using only one knockout opening in a dry location:
 - 14/2 Thru 10/3 NM
 - 14/2 Thru 10/4 AC
 - 14/2 Thru 10/3 MC
 - 3/8" FMC
- 3/8" size fits 1/2" knockout
- Two Combo Head Mounting Screws

DIMENSIONS = INCHES

CAT. NO.	TRADE SIZE	DIMENSIONS			INNER BOX	OUTER BOX
		A	B	C		
15067	3/8"	2.02	1.64	1.24	25	250