



Catalog Number 12016
UPC Number 60198612016
Description Vinyl Insulated Female/Male
 Piggyback Disconnect
 10-12 AWG



Features

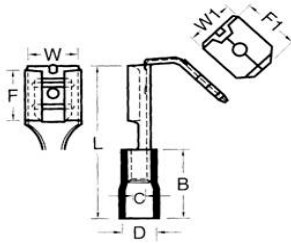
- Vinyl Color Coded insulation for easy identification
- Manufactured from high strength copper alloy
- Electro-tin plated for corrosion resistance
- Expanded insulation eliminates strand “Hang Up”, provides strain relief & excellent UV, temperature and chemical resistance
- Wire range stamped on the surface for easy interpretation
- Butted seams prevent splitting under maximum pressure
- Serrated barrel provides excellent pull-out force resistance & electrical contact

General

Insulation Type Vinyl
Material Brass
Finish Electro-Tin Plated
Color Yellow
Wire Range 10-12
Tab Size .032 X .250

Dimension Information

T Inches (mm) 0.016
L Inches (mm) 0.945
B Inches (mm) 0.512
C Inches (mm) 0.134
D Inches (mm) 0.217
F Inches (mm) 0.315
F1 Inches (mm) 0.323
W Inches (mm) 0.26
W1 Inches (mm) 0.25



Specifications

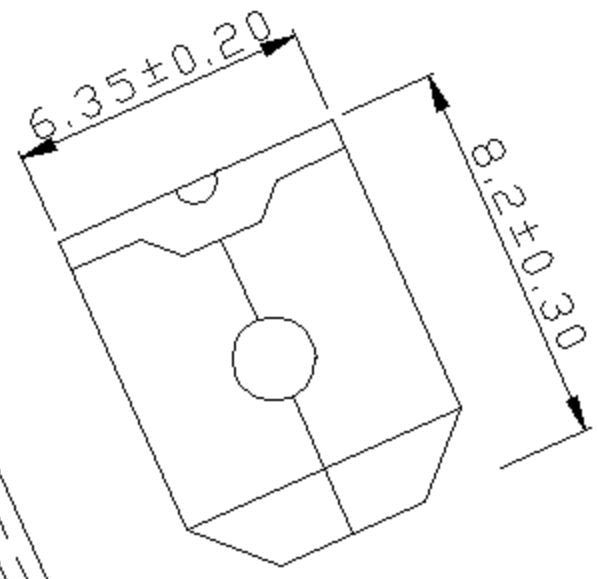
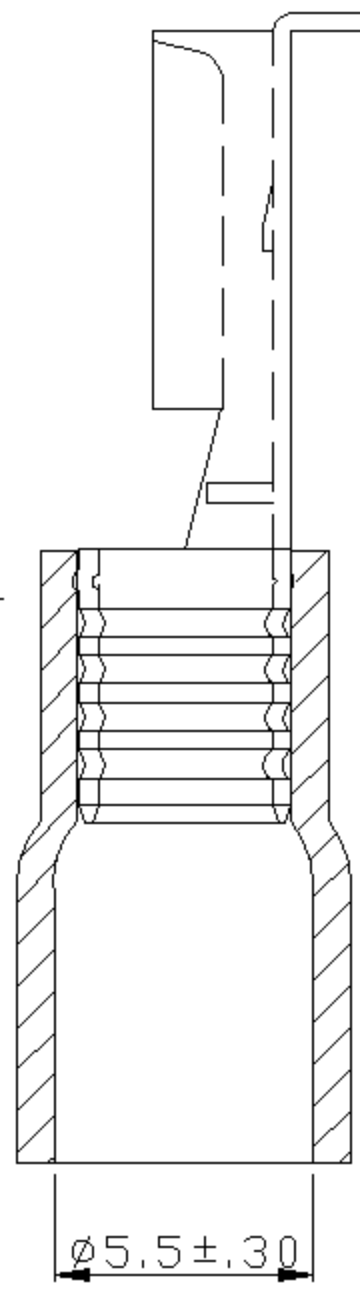
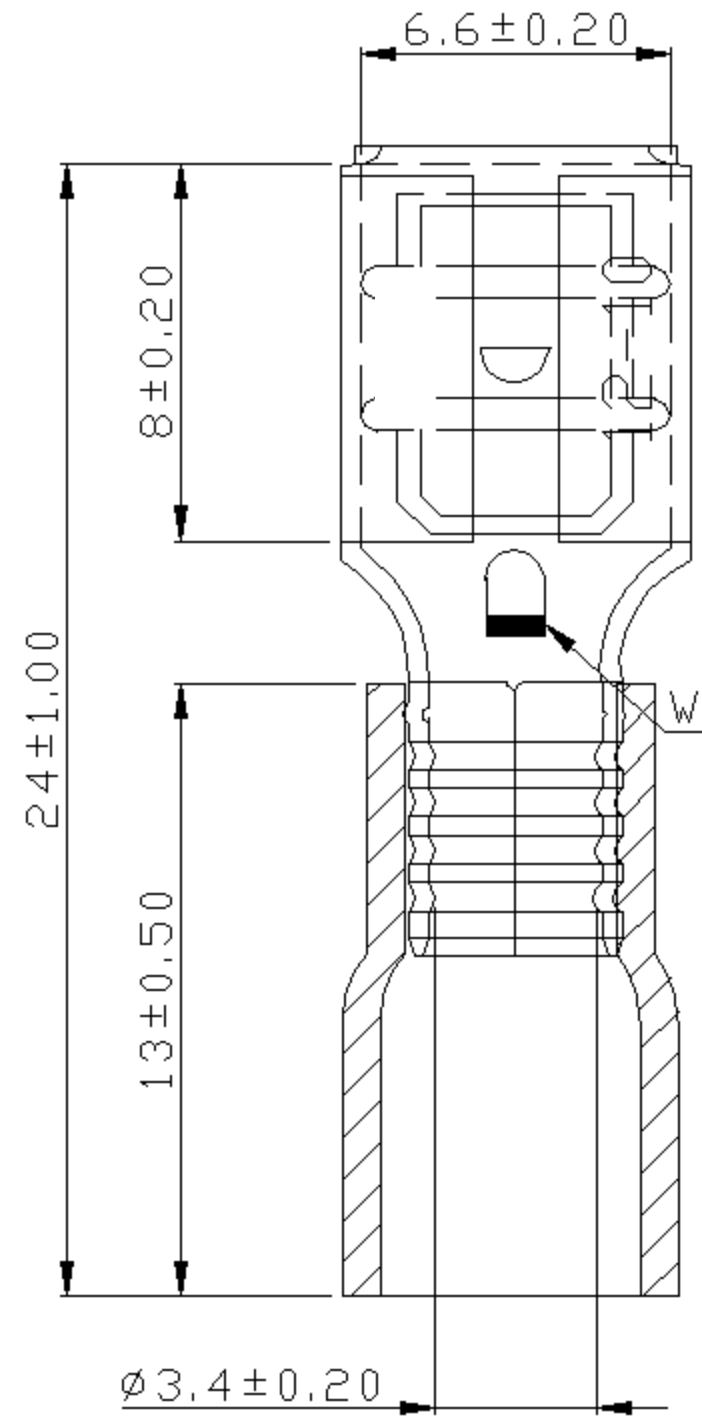
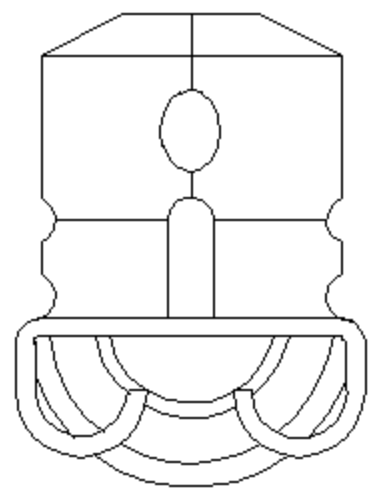
Temperature Rating 167°F (75°C)
Voltage Rating 300 V
Flammability Rating UL94V-O
Amp Rating 12 AWG 20 Amps
 10 AWG 24 Amps

Packaging

Bag Qty 100
Master Bag Qty 1000

Certifications

UL Yes
cUL Yes
RoHS Yes



NOTE:

1. MAXIMUM ELECTRIC CURRENT :

A.W.G.	12	10	
AMP.	20	24	
2. MAXIMUM ELECTRICAL RATING : 75°C 300 VOLTS MAX.
3. INSULATION MATERIAL : VINYL
4. INSULATION COLOR : YELLOW
5. TERMINAL MATERIAL : BRASS
6. WIRE RANGE : 12-10 A.W.G.(4-6 mm²)
7. TERMINALS SURFACE TREATMENT : TIN PLATED
8. THICKNESS : 0.4 mm

Tolerance Unless Otherwise Specified		
0 >6 mm	±0.20	ANGLE
6 >18 mm	±0.30	0° > ° REF ±
18 >30 mm	±0.40	° > ° ±
30 >75 mm	±0.50	° > ° ±

NAME	VINYL-INSULATED PIGGY BACK DISCONNECTORS			UNIT	mm	
PART NO.	12016	MATERIAL	-----	APPROVE		
NUMBER		SCALE	SHEET	PAGE	CHECKED	
DATE	2006/05/16	4/1	1-0	10F2	DRAWN	

Morris Products Inc.