



**Catalog Number** 12014  
**UPC Number** 60198612014  
**Description** Vinyl Insulated Female/Male  
 Piggyback Disconnect  
 16-14



**Features**

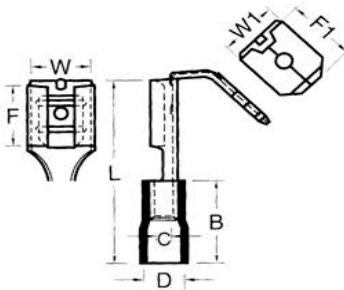
- Vinyl Color Coded insulation for easy identification
- Manufactured from high strength copper alloy
- Electro-tin plated for corrosion resistance
- Expanded insulation eliminates strand “Hang Up”, provides strain relief & excellent UV, temperature and chemical resistance
- Wire range stamped on the surface for easy interpretation
- Butted seams prevent splitting under maximum pressure
- Serrated barrel provides excellent pull-out force resistance & electrical contact

**General**

Insulation Type Vinyl  
 Material Brass  
 Finish Electro-Tin Plated  
 Color Blue  
 Wire Range 16-14  
 Tab Size .032 X .250

**Dimension Information**

T Inches (mm) 0.016  
 L Inches (mm) 0.866  
 B Inches (mm) 0.394  
 C Inches (mm) 0.091  
 D Inches (mm) 0.177  
 F Inches (mm) 0.315  
 F1 Inches (mm) 0.323  
 W Inches (mm) 0.26  
 W1 Inches (mm) 0.25



**Specifications**

Temperature Rating 167°F (75°C)  
 Voltage Rating 300 V  
 Flammability Rating UL94V-O  
 Amp Rating 14 AWG 15 Amps  
 16 AWG 10 Amps

**Packaging**

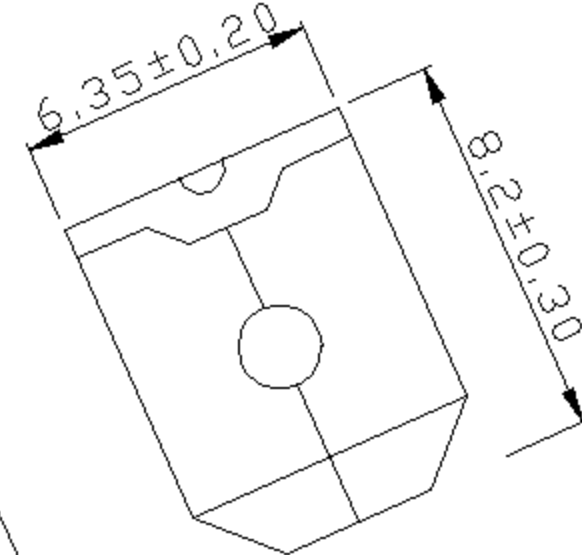
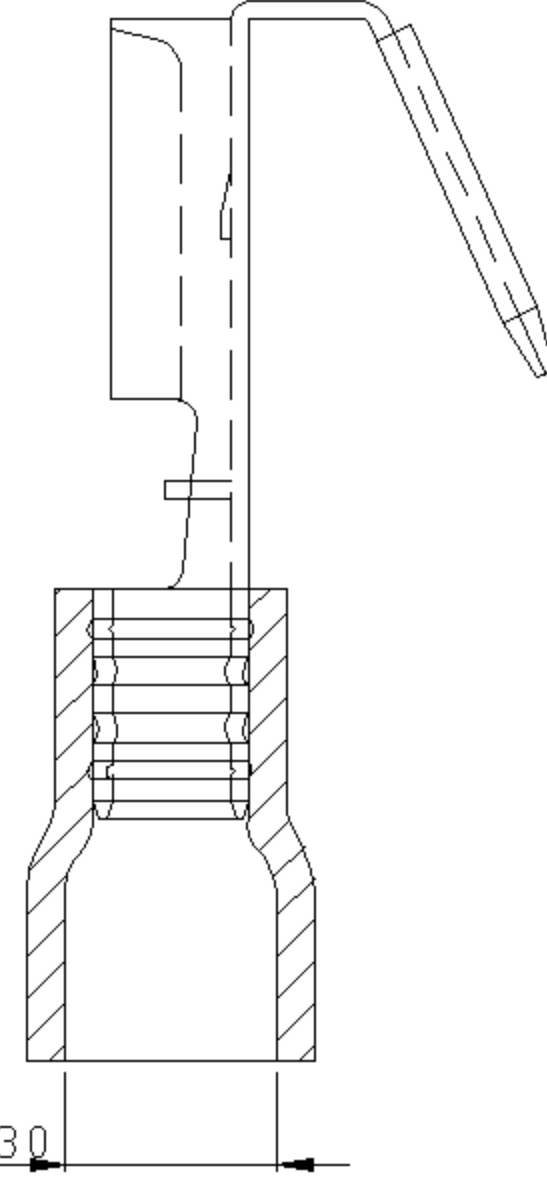
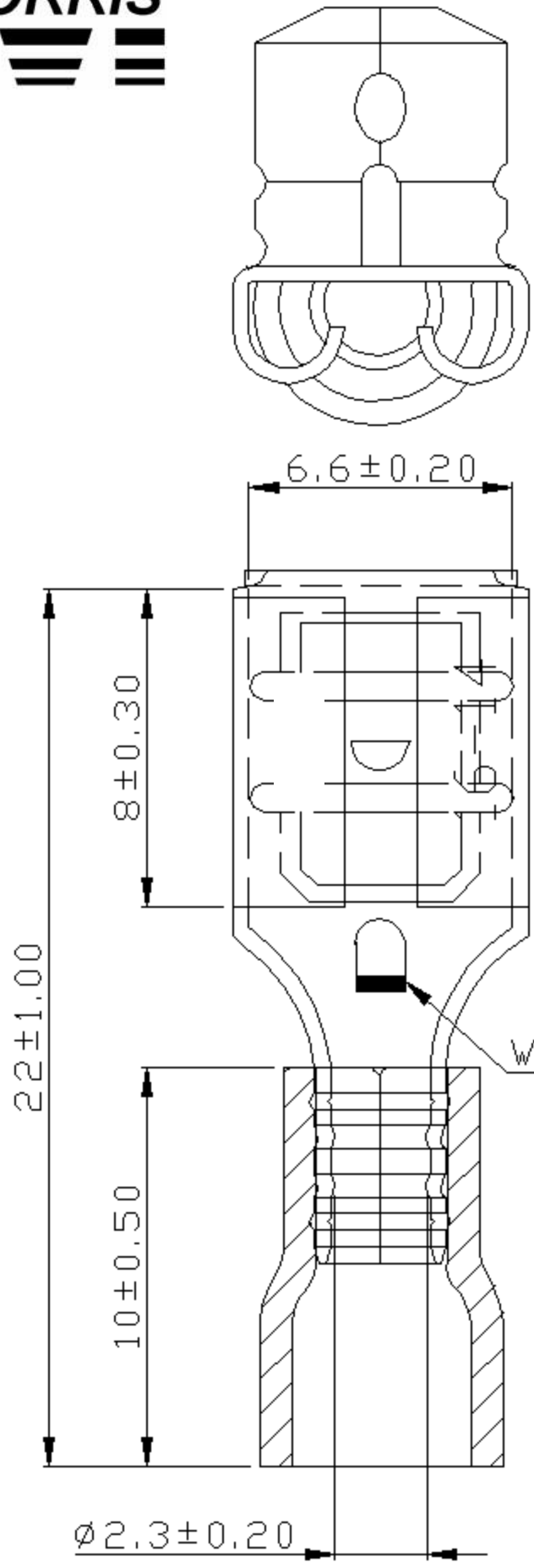
Bag Qty 100  
 Master Bag Qty 1000

**Certifications**

UL Yes  
 cUL Yes  
 RoHS Yes



REV	DESCRIPTION	DATE
-----	-------------	------



- NOTE:
1. MAXIMUM ELECTRIC CURRENT : 

A.W.G.	16	14	
AMP.	10	15	
  2. MAXIMUM ELECTRICAL RATING : 75°C 300 VOLTS MAX.
  3. INSULATION MATERIAL : VINYL
  4. INSULATION COLOR : BLUE
  5. TERMINAL MATERIAL : BRASS
  6. WIRE RANGE : 16-14 A.W.G.(1.5-2.5mm<sup>2</sup>)
  7. TERMINAL SURFACE TREATMENT : TIN PLATED
  8. THICKNESS : 0.4 mm

Tolerance Unless Otherwise Specified		
0 > 6 mm	±0.20	ANGLE
6 > 18 mm	±0.30	0° > ° REF ±
18 > 30 mm	±0.40	° ±
30 > 75 mm	±0.50	° ±

NAME	VINYL-INSULATED PIGGY BACK DISCONNECTORS			UNIT	mm	
PART NO.	12014	MATERIAL	-----	APPROVE		
NUMBER		SCALE	SHEET	PAGE	CHECKED	
DATE	2006/05/16	4/1	1-0	10F2	DRAWN	

Morris Products Inc.