



Catalog Number 12012
UPC Number 60198612012
Description Vinyl Insulated Female/Male
 Piggyback Disconnect
 22-16



Features

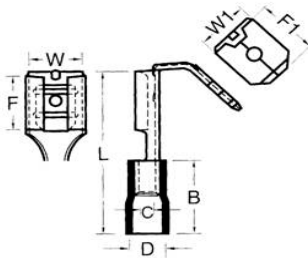
- Vinyl Color Coded insulation for easy identification
- Manufactured from high strength copper alloy
- Electro-tin plated for corrosion resistance
- Expanded insulation eliminates strand “Hang Up”, provides strain relief & excellent UV, temperature and chemical resistance
- Wire range stamped on the surface for easy interpretation
- Butted seams prevent splitting under maximum pressure
- Serrated barrel provides excellent pull-out force resistance & electrical contact

General

Insulation Type Vinyl
Material Brass
Finish Electro-Tin Plated
Color Red
Wire Range 22-16
Tab Size .032 X .250

Dimension Information

T Inches (mm) 0.016
L Inches (mm) 0.866
B Inches (mm) 0.394
C Inches (mm) 0.067
D Inches (mm) 0.157
F Inches (mm) 0.315
F1 Inches (mm) 0.323
W Inches (mm) 0.26
W1 Inches (mm) 0.25



Specifications

Temperature Rating 167°F (75°C)
Voltage Rating 300 V
Flammability Rating UL94V-O
Amp Rating 22 AWG 3 Amps
 20 AWG 4 Amps
 18 AWG 7 Amps
 16 AWG 10 Amps

Packaging

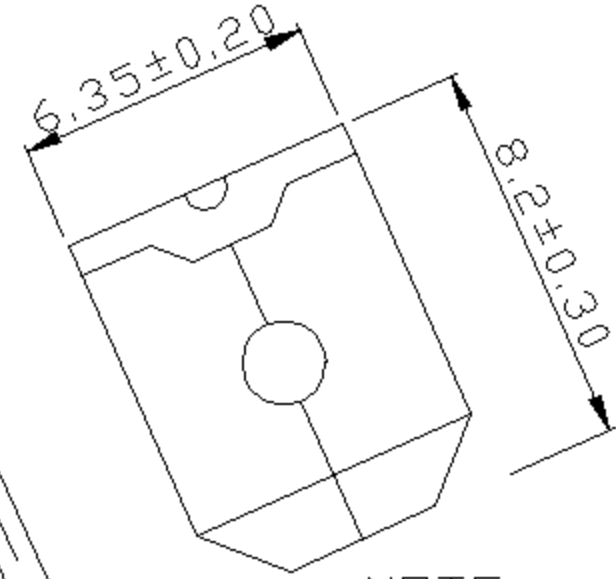
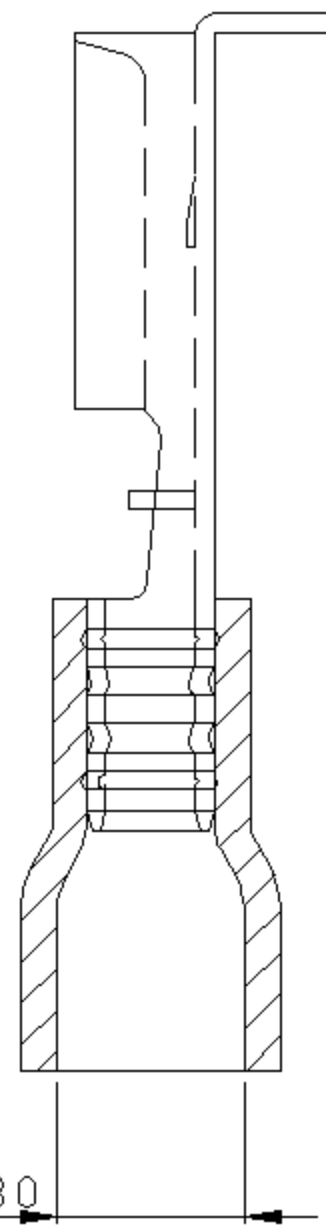
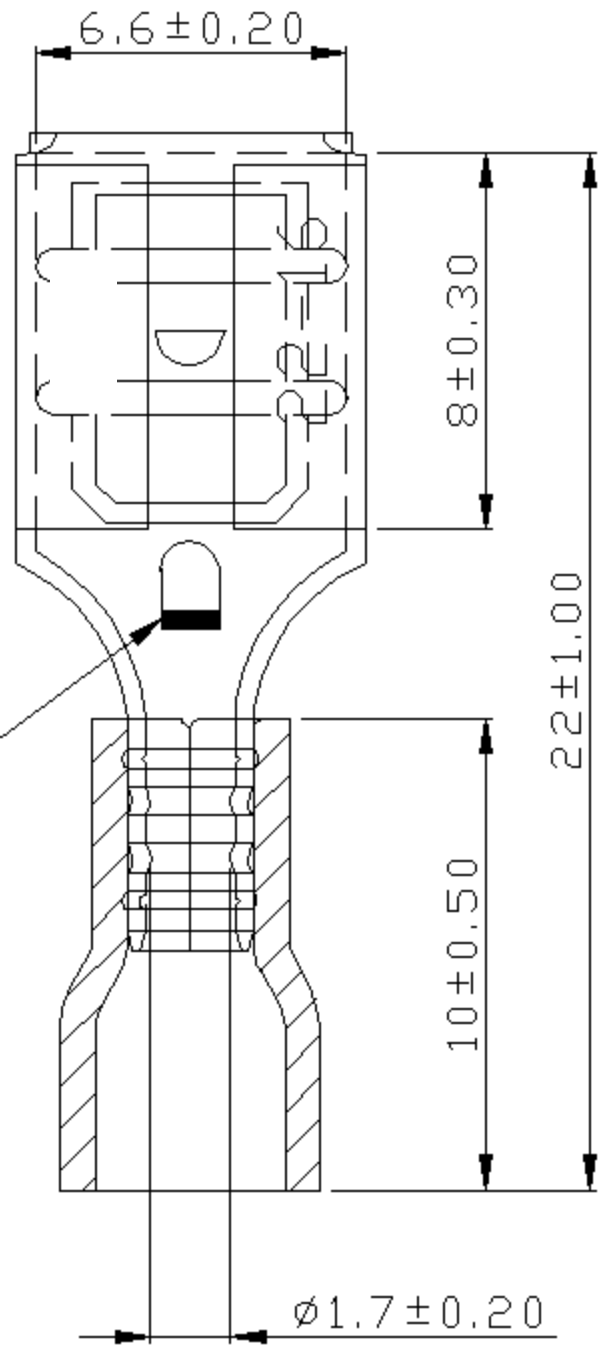
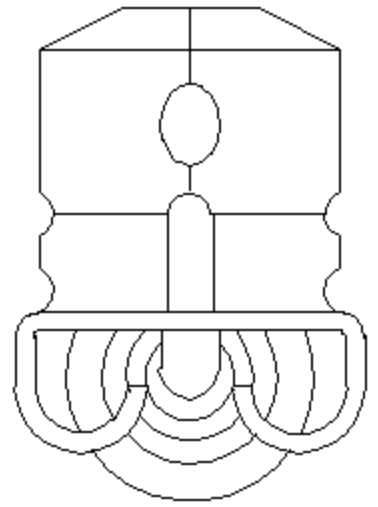
Bag Qty 100
Master Bag Qty 1000

Certifications

UL Yes
cUL Yes
RoHS Yes



REV	DESCRIPTION	DATE
-----	-------------	------



- NOTE:
1. MAXIMUM ELECTRIC CURRENT :

A.W.G.	22	20	18	16
AMP.	3	4	7	10
 2. MAXIMUM ELECTRICAL RATING : 75°C 300 VOLTS MAX.
 3. INSULATION MATERIAL : VINYL
 4. INSULATION COLOR : RED
 5. TERMINAL MATERIAL : BRASS
 6. WIRE RANGE : 22-16 A.W.G.(0.5-1.5mm²)
 7. TERMINALS SURFACE TREATMENT : TIN PLATED
 8. THICKNESS : 0.4 mm

Tolerance Unless Otherwise Specified		
0 > 6 mm	±0.20	ANGLE
6 > 18 mm	±0.30	0° > ° REF ±
18 > 30 mm	±0.40	° ±
30 > 75 mm	±0.50	° ±

NAME	VINYL-INSULATED PIGGY BACK DISCONNECTORS			UNIT	mm	
PART NO.	12012	MATERIAL	-----	APPROVE		
NUMBER		SCALE	SHEET	PAGE	CHECKED	
DATE	2006/05/16	4/1	1-0	10F2	DRAWN	

Morris Products Inc.